

ELECTRICAL DATA

FREQUENCY : DC-9GHz

IMPEDANCE: 50Ω

VSWR:1.3:1 MAX. (DC-3GHz) / 1.5:1 TYP. (3-9GHz)

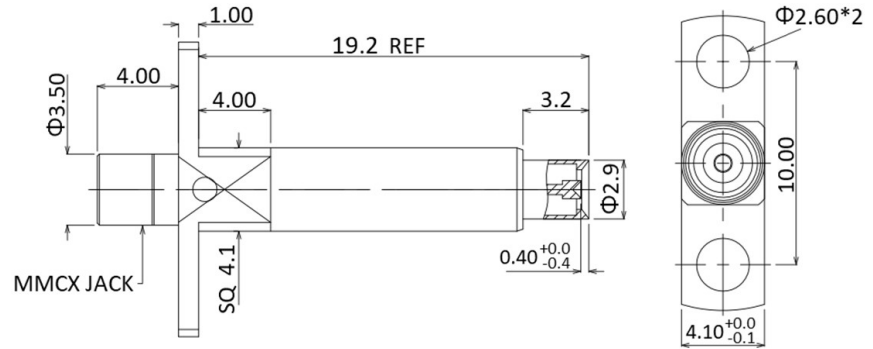
INSERTION LOSS: 1 dB MAX.

DIELECTRIC WITHSTANDING VOLTAGE: 500 Vrms

INSULATION RESISTANCE: 1000Mega Ohms

CENTER CONTACT RESISTANCE: 10.0 mini Ohm

OUTER CONTACT RESISTANCE: 6.0 mini Ohm



MECHANICAL DATA

COUPLING METHOD: FLOATING/SNAP-ON

DURABILITY(MATING/UNMATING):

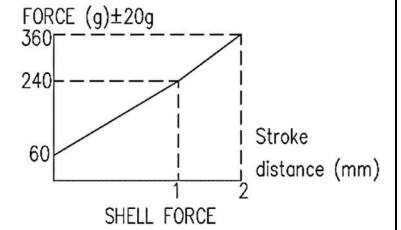
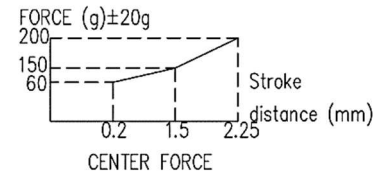
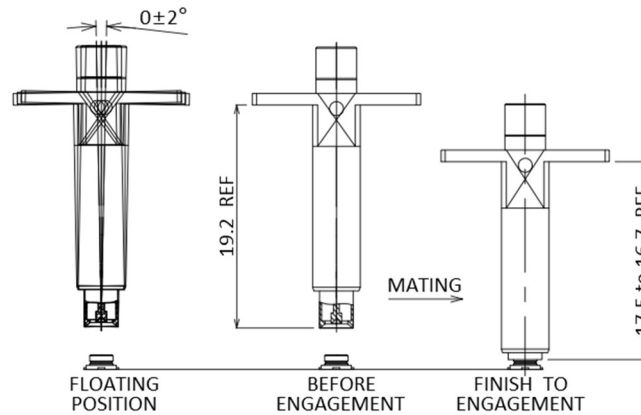
500 Cycles(MMCX); 5000 Cycles(U.FL)

TEMPERATURE RANGE: 65° to 165°

APPLICATION



Fully mating with Hirose U.FL , IPEX MHF.



DESCRIPTION	MATERIALS	ROHS COMPLIANCE	UNIT: mm
SPRING	SUS304	TOLERANCE: X=±0.38 X.X=0.25 X.XX=±0.15 X.XXX=±0.05	
INSULATOR	TEFLON	TITLE	
BADY	TEFLON BRASS,GOLD PLATED	MMCX Female To U.FL/MHF Probe Adapter, DC-9GHz(Pin:0.9)	



芝程科技有限公司

www.micro-mve.com

DC-67GHz RF& Microwave Components

PART NO.

MVE1968-30.4

REV

4.3

SIZE: A

SHEET: 1/1

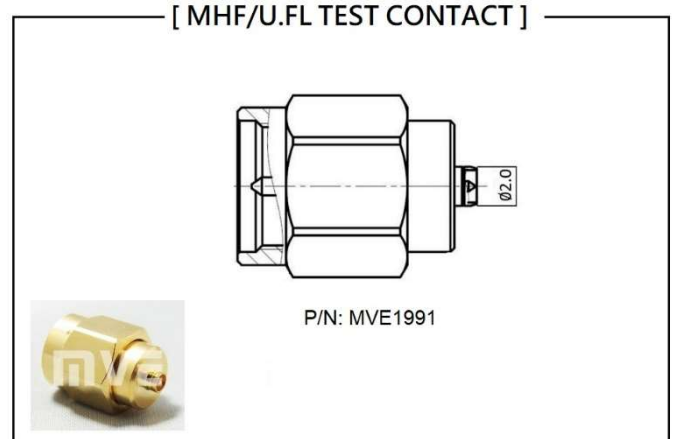
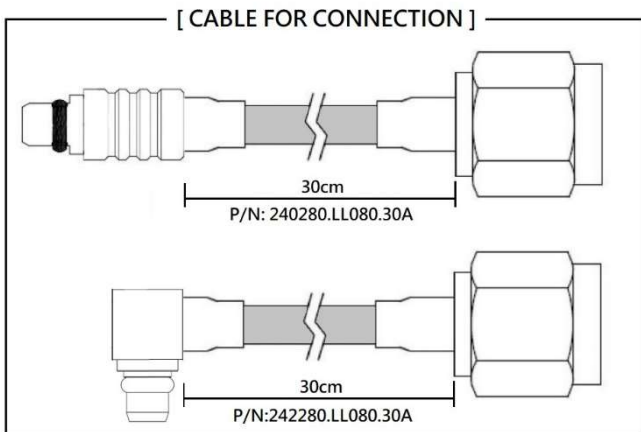
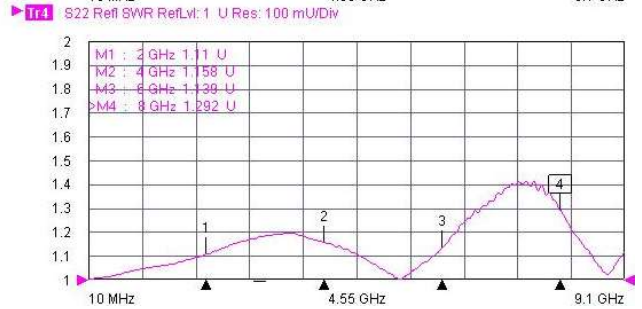
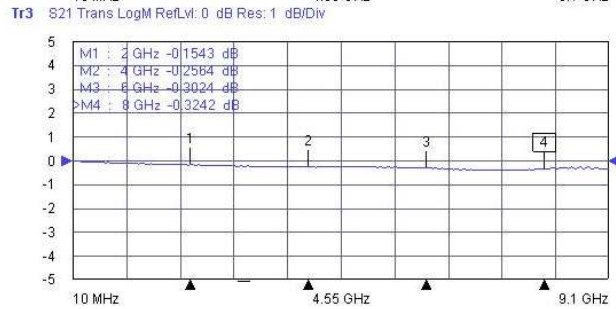
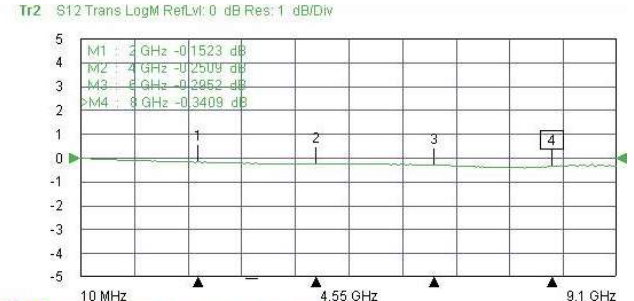
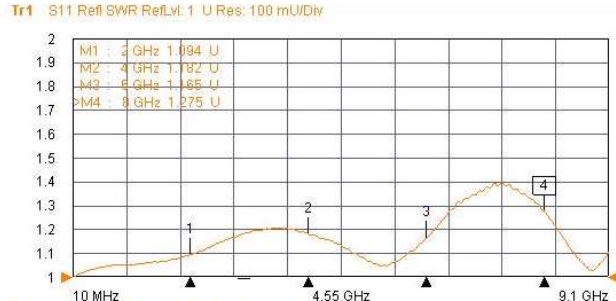
SCALE:

NOTES

1. ALL SPECIFICATIONS ARE SUBJECT TO CHANGE WITHOUT NOTICE AT ANY TIME
2. CUSTOMER OUTLINE DRAWING FOR REFERENCE ONLY

Typical Test Result

PART NUMBER	DESCRIPTION
MVE1968-30.4	MMCX Female To U.FL/MHF Probe Adapter, DC-6GHz(Pin:0.9)



NOTES

1. ALL SPECIFICATIONS ARE SUBJECT TO CHANGE WITHOUT NOTICE AT ANY TIME
2. CUSTOMER OUTLINE DRAWING FOR REFERENCE ONLY