

## ELECTRICAL DATA

FREQUENCY : DC-9GHz

IMPEDANCE: 50Ω

VSWR:1.3:1 MAX. (DC-3GHz) / 1.5:1 TYP. (3-9GHz)

DIELECTRIC WITHSTANDING VOLTAGE: 500 Vrms

WORKING VOLTAGE: 170 Vrms MAX.

INSULATION RESISTANCE: 1000Mega Ohms

CENTER CONTACT RESISTANCE: 10.0 mini Ohm

OUTER CONTACT RESISTANCE: 6.0 mini Ohm

## MECHANICAL DATA

COUPLING MRTHOD:FLOATING/SNAP-ON

DURABILITY(MATING/UNMATING):

MMCX:500 Cycles

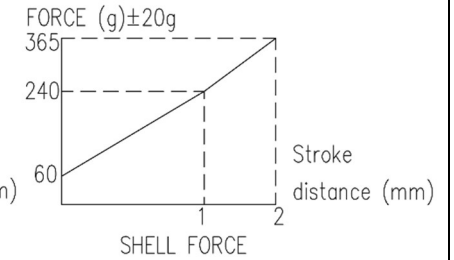
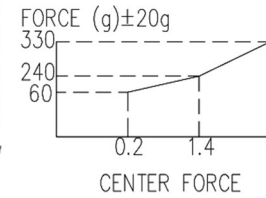
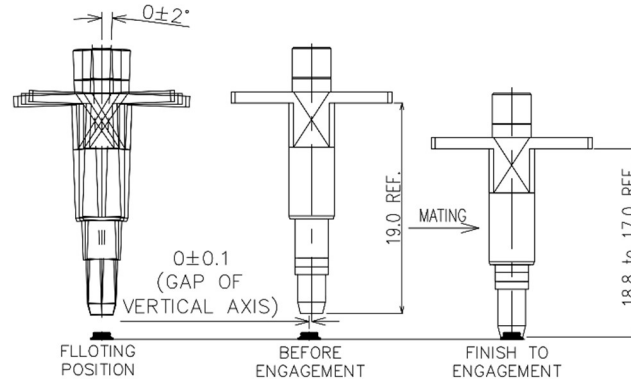
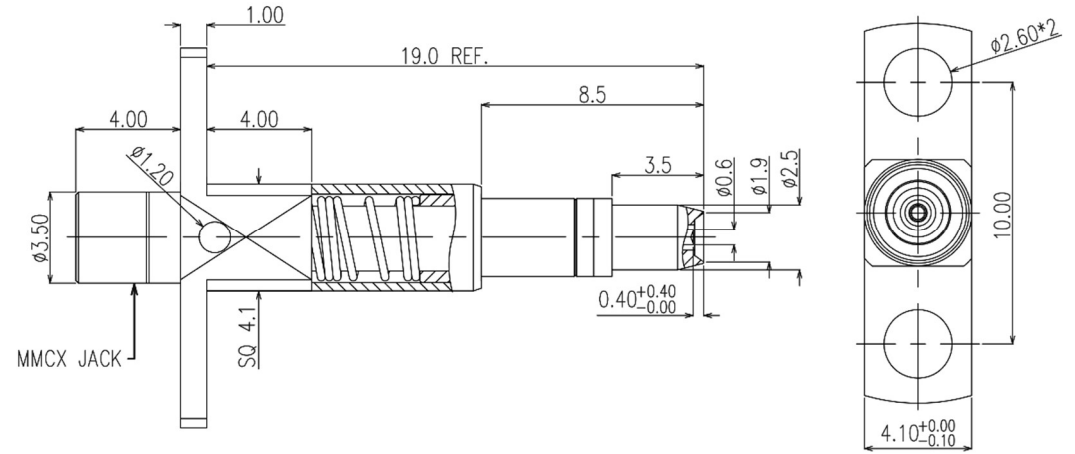
MHF4(20448):30K Cycles

TEMPERATURE RANGE:-65°C to 165°C

## APPLICATION



Fully mating with IPEX MHF4.



DESCRIPTION	MATERIALS	ROHS COMPLIANCE	UNIT: mm
SPRING	SUS303	TOLERANCE: X=±0.38 X.X=0.25 X.XX=±0.15	
INSULATOR	TEFLON	TITLE	
FRONT BODY	SUS303,GOLD PLATED	MMCX Female To MHF4 Male Probe Adapter, DC-9GHz	
MIDDLE BODY	BRASS,GOLD PLATED		

## NOTES

1. ALL SPECIFICATIONS ARE SUBJECT TO CHANGE WITHOUT NOTICE AT ANY TIME
2. CUSTOMER OUTLINE DRAWING FOR REFERENCE ONLY

**MVE** 芝程科技有限公司  
Microwave

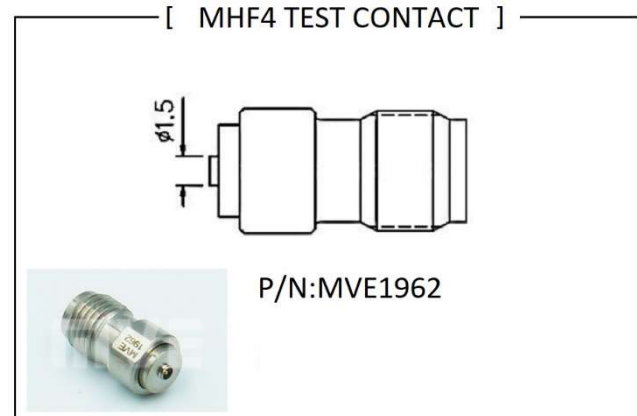
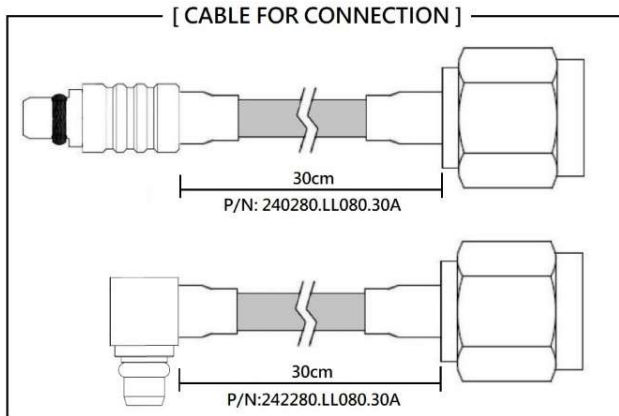
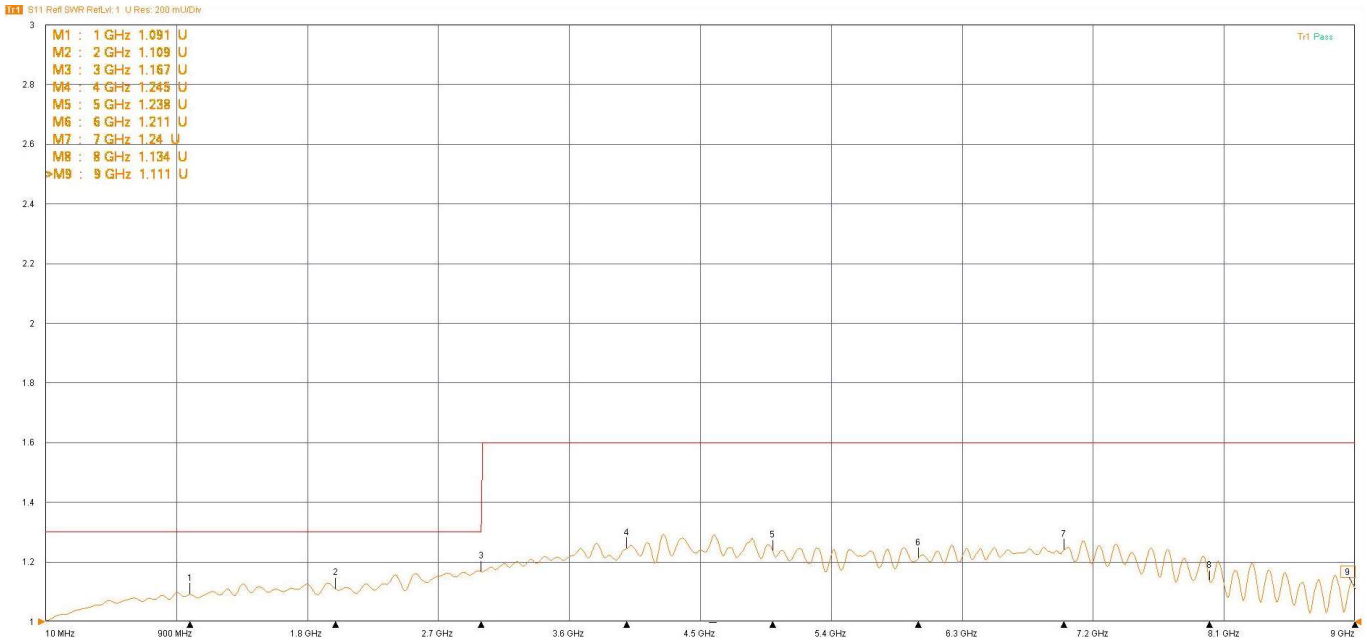
[www.micro-mve.com](http://www.micro-mve.com)

DC-67GHz RF& Microwave Components

PART NO.	<b>MVE1967H</b>	REV	1.2
SIZE: A	SHEET: 1/1	SCALE:	

# Typical Test Result

PART NUMBER	DESCRIPTION
MVE1967H	MMCX Female To MHF4 Male Probe Adapter, DC-9GHz



## NOTES

1. ALL SPECIFICATIONS ARE SUBJECT TO CHANGE WITHOUT NOTICE AT ANY TIME
2. CUSTOMER OUTLINE DRAWING FOR REFERENCE ONLY