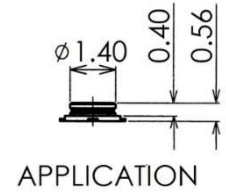
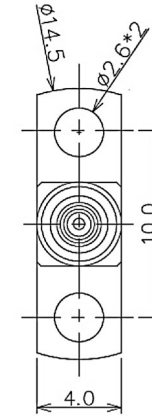
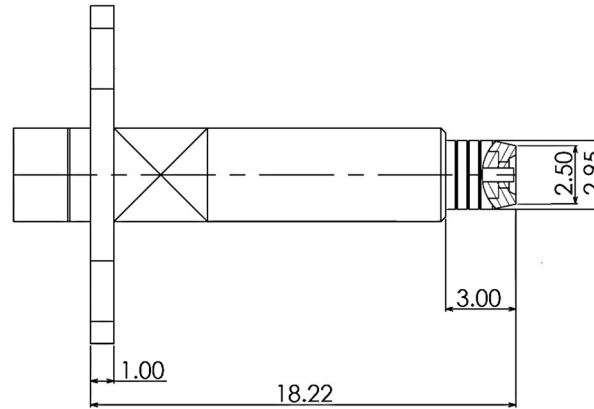


ELECTRICAL DATA

DIELECTRIC WITHSTANDING VOLTAGE: 500 Vrms
 INSULATION RESISTANCE: 1000 Mega Ohms
 CENTER CONTACT RESISTANCE: 10 MIN. Ohms
 OUT CONTACT RESISTANCE: 6 MIN. Ohms
 FREQUENCY : DC-6GHz
 IMPEDANCE: 50OHM
 VSWR: 1.30 :1 MAX

MECHANICAL DATA

TEMPERATURE RANGE: -40~+165°C
 DURABILITY: 10,000 CYCLES MIN



APPLICATION



DESCRIPTION	MATERIALS	ROHS COMPLIANCE	UNIT: mm
BODY	BRASS, NICKLE PLATED	TOLERANCE: X=±1.0 X.X=±0.5 X.XX=±0.25	
CONTACT PIN	BRASS, GOLD PLATED	TITLE MMCX Female To MHF5 Plug Probe Adapter, DC-6GHz	
INSULATOR	TEFLON		
SPRING	STAINLESS STEEL		



芝程科技有限公司
 Marvelous Microwave Inc

www.micro-mve.com

DC-67GHz RF& Microwave Components

PART NO.	MVE1963-X	REV A
SIZE: A	SHEET: 1/1	SCALE:

NOTES

1. ALL SPECIFICATIONS ARE SUBJECT TO CHANGE WITHOUT NOTICE AT ANY TIME
2. CUSTOMER OUTLINE DRAWING FOR REFERENCE ONLY