

ELECTRICAL DATA

FREQUENCY : DC-6GHz
 IMPEDANCE: 50Ω
 VSWR: 1.3:1Max. (3GHz)
 1.6:1Max. (6GHz)
 INSERTION LOSS: 1 dB Max.
 DIELECTRIC WITHSTANDING VOLTAGE: 500 Vrms
 INSULATION RESISTANCE: 1000Mega Ohms
 CENTER CONTACT RESISTANCE: 10.0 mini Ohm
 OUTER CONTACT RESISTANCE: 6.0 mini Ohm

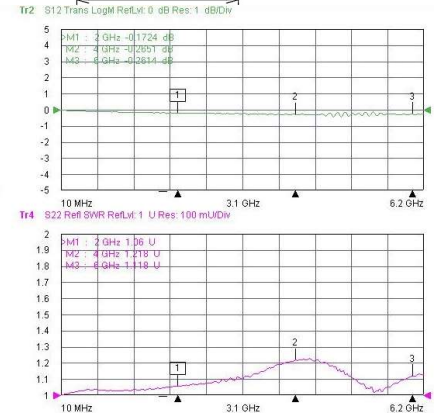
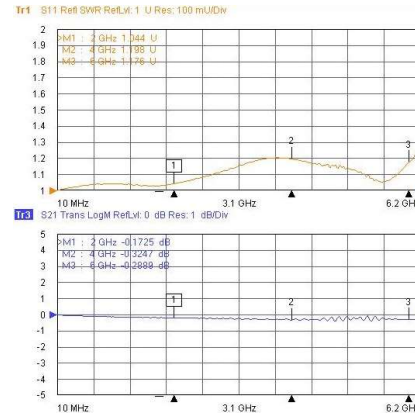
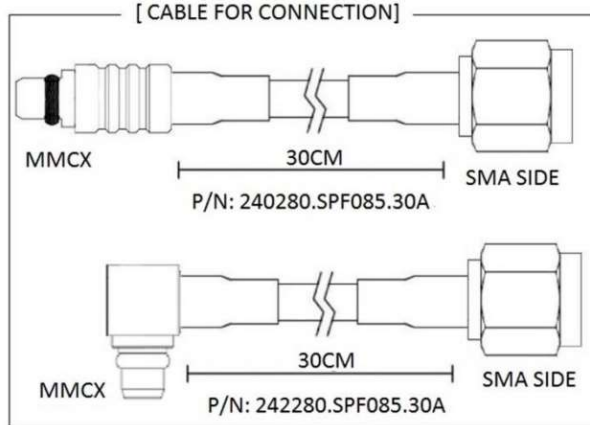
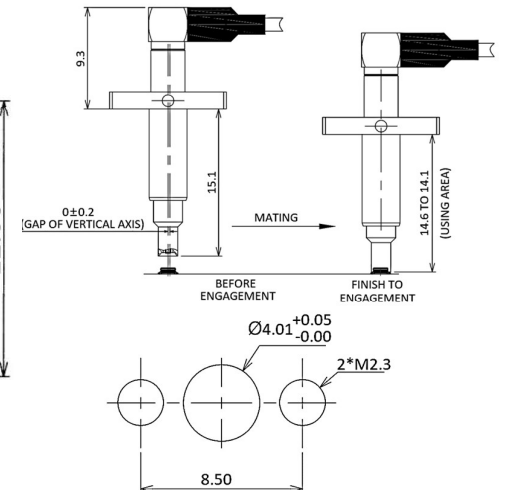
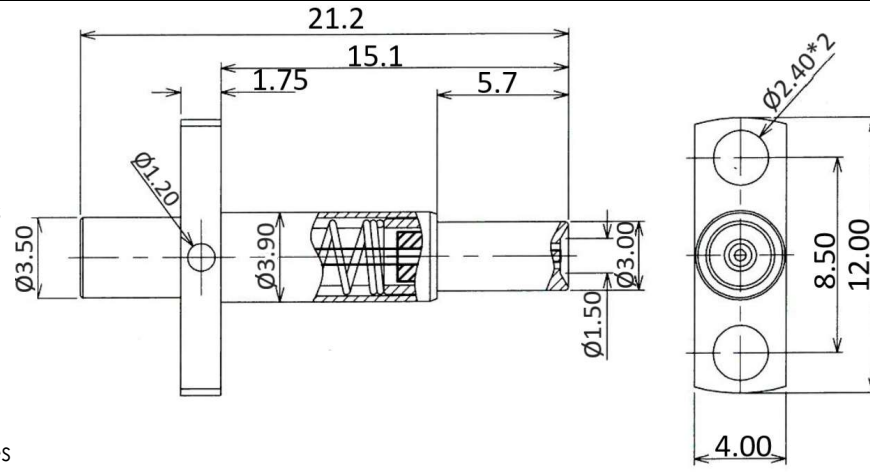
MECHANICAL DATA

COUPLING METHOD: Probe/SNAP-ON
 DURABILITY(MATING/UNMATING): 10000 Cycles

APPLICATION



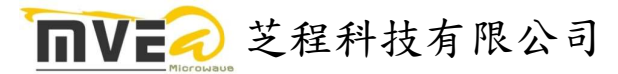
Fully mating with MHF4



DESCRIPTION	MATERIALS	ROHS COMPLIANCE		UNIT: mm
BODY	SUS303(FRONT); BRASS GOLD PLATED(MIDDLE)	GENERAL TOLERANCE: X.: ±0.38 .X: ±0.25 .XX: ±0.15 .XXX ±0.05		ANGLE TOLERANCE : X°: ±2.0° .X°: ±1.0° .XX°: ±0.5°
MMCX BODY	BRASS GOLD PLATED			
CENTER PIN	PH BR/STEEL, GOLD	TITLE		
SPRING	SUS304	MMCX Female To MHF4 / X.FL Male Probe Adapter, DC-6GHz		
INSULATOR	TEFLON			

NOTES

1. ALL SPECIFICATIONS ARE SUBJECT TO CHANGE WITHOUT NOTICE AT ANY TIME
2. CUSTOMER OUTLINE DRAWING FOR REFERENCE ONLY



www.micro-mve.com

DC-67GHz RF& Microwave Components

PART NO.		REV
MVE1963-21		1.1
SIZE: A	SHEET: 1/1	SCALE: