

COAXIAL ADAPTER

SMA-SMA Standard Series

Features

- ✓ Frequency up to 8 GHz
- ✓ Low VSWR
- ✓ High Durability

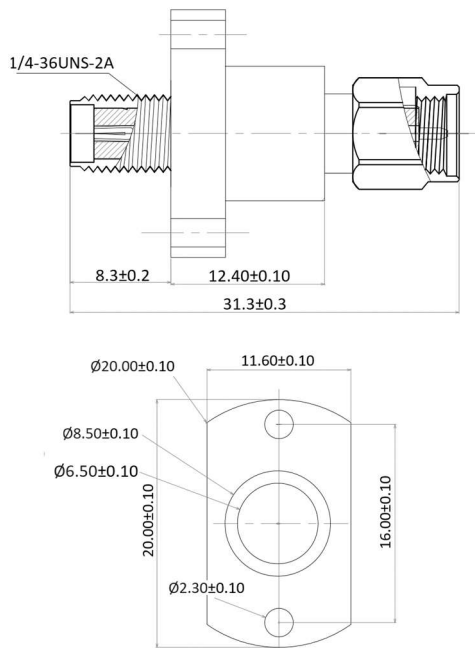


Specifications

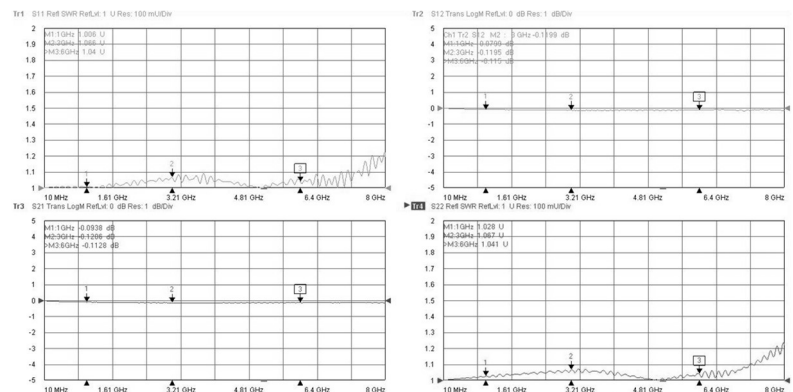
PART NUMBER	MVE1762
DESCRIPTION	SMA Male To SMA Female 2Hole Floating Adapter, DC-8GHz
ELECTRICAL	MATERIALS
FREQUENCY: DC-8GHz IMPEDANCE: 50OHM VSWR: 1.5:1 MAX.	BODY: BRASS, NICKEL OR GOLDEN PLATED CONTACT: BRASS, GOLD PLATED INSULATOR: TEFLON SPRING: STAINLESS, NICKEL PLATED WASHER: BRASS, NICKEL PLATED

TOLERANCE: X=±0.3 X.X=±0.2 X.XX±0.1

Outline Drawing (Unit: mm)



Typical Test Result



NOTES:

1. ALL SPECIFICATIONS ARE SUBJECT TO CHANGE WITHOUT NOTICE AT ANY TIME
2. CUSTOMER OUTLINE DRAWING FOR REFERENCE ONLY

