

# COAXIAL ADAPTER

# SMA-SMA Precision Series

## Features

- ✓ Frequency up to 18 GHz
- ✓ Low VSWR
- ✓ High Durability

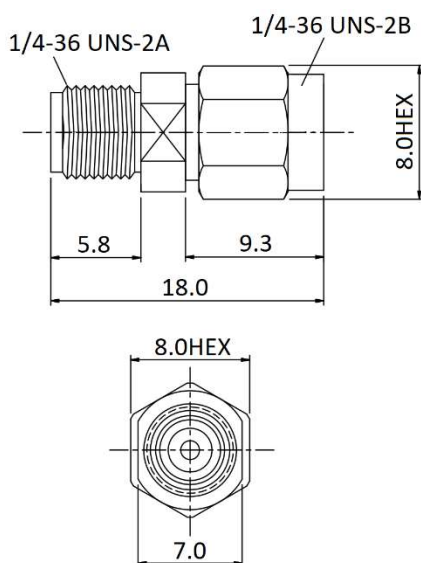


## Specifications

<b>PART NUMBER</b>	MVE1722
<b>DESCRIPTION</b>	50ohm SMA Male To SMA Female, DC-18GHz Adapter
<b>ELECTRICAL</b>	<b>MATERIALS</b>
FREQUENCY: DC-18GHz IMPEDANCE: 50OHM WORKING VOLTAGE: 335Vrms MAX. DIELECTRIC WITHSTANDING VOLTAGE: 1000Vrms MIN. VSWR: 1.25:1 MAX.	BODY: BRASS, GOLD PLATED CONTACT: BE. COPPER, GOLD PLATED SHELL: STAINLESS STEEL, PASSTIVATED INSULATOR: PTFE GASKET: SILICON C-RING: BE COPPER

Tolerance: X= ±0.2 X.X= ±0.1 X.XX= ±0.05

## Outline Drawing (Unit: mm)



### NOTES:

1. ALL SPECIFICATIONS ARE SUBJECT TO CHANGE WITHOUT NOTICE AT ANY TIME
2. CUSTOMER OUTLINE DRAWING FOR REFERENCE ONLY

## Typical Test Result

