

WAVEGUIDE ADAPTER

SMA-WR90
8.2-12.4GHz

Features

- ✓ Broad Band Coverage
- ✓ Low VSWR
- ✓ High Performance

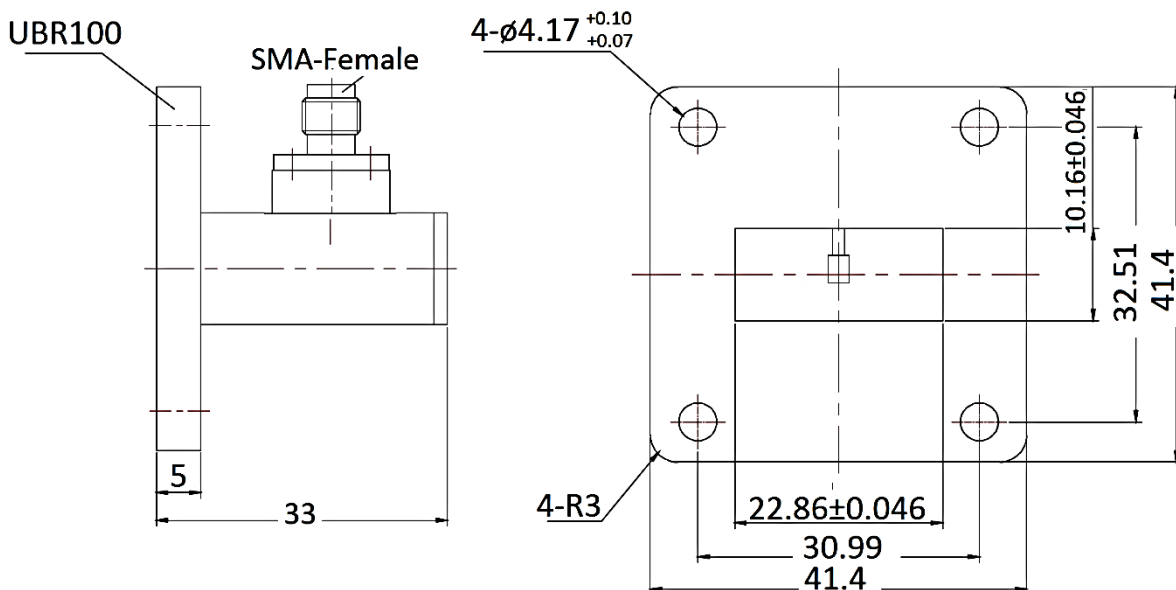


Specifications

PART NUMBER	MVE17020
DESCRIPTION	SMA Female To WR90, 8.2-12.4GHz Waveguide Adapter
ELECTRICAL	
FREQUENCY: 8.2-12.4GHz WAVEGUIDE: WR90 VSWR: 1.25:1 MAX. I.L: 0.3 MAX. FLANGE: UBR100(FBP100) CONNECTOR: SMA Female	
MATERIALS	
BODY: COPPER, BRASS FINISH: INSIDE — SILVER PLATING OUTSIDE — ANTICORROSION GREY PAINT	

Tolerance: ±0.2mm

Outline Drawing (Unit: mm)

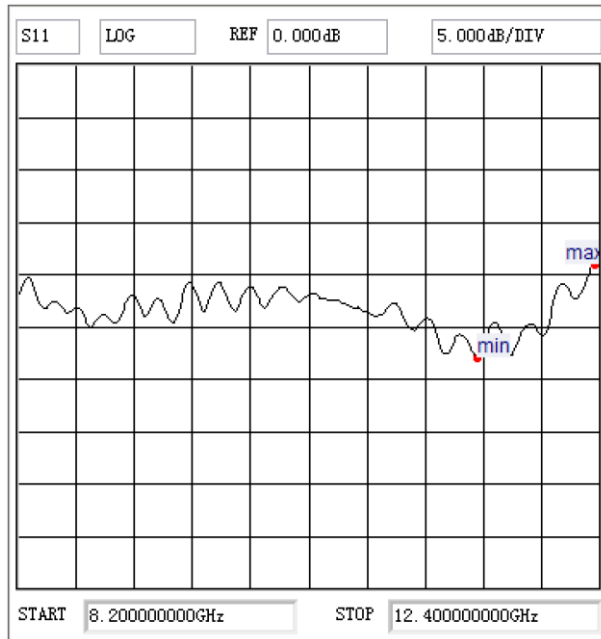


NOTES:

1. ALL SPECIFICATIONS ARE SUBJECT TO CHANGE WITHOUT NOTICE AT ANY TIME
2. CUSTOMER OUTLINE DRAWING FOR REFERENCE ONLY

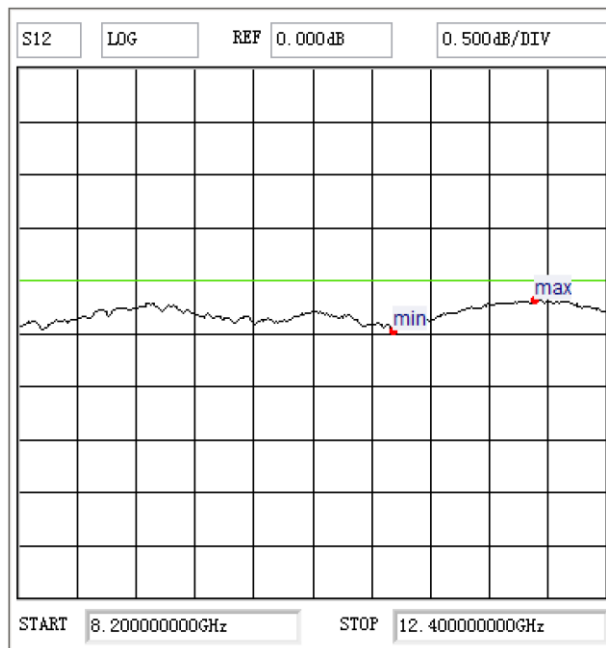
Typical Test Report

VSWR



Name	Frequency	Value
max	12.367774936GHz	1.249U
min	11.519181586GHz	1.083U

INSERTION LOSS



Name	Frequency	Value
max	11.884398977GHz	-0.179dB
min	10.874680307GHz	-0.470dB

In IL test setup, two Waveguide to Coaxial Adaptors are connected together. The test result is the total IL of two Waveguide to Coaxial Adaptors. In calculation, dividing this result by 2 can get single Waveguide to Coaxial Adaptor's IL.

NOTES:

1. ALL SPECIFICATIONS ARE SUBJECT TO CHANGE WITHOUT NOTICE AT ANY TIME
2. CUSTOMER OUTLINE DRAWING FOR REFERENCE ONLY