

# WAVEGUIDE ADAPTER

**SMA-WR75**  
**9.84-15GHz**

## Features

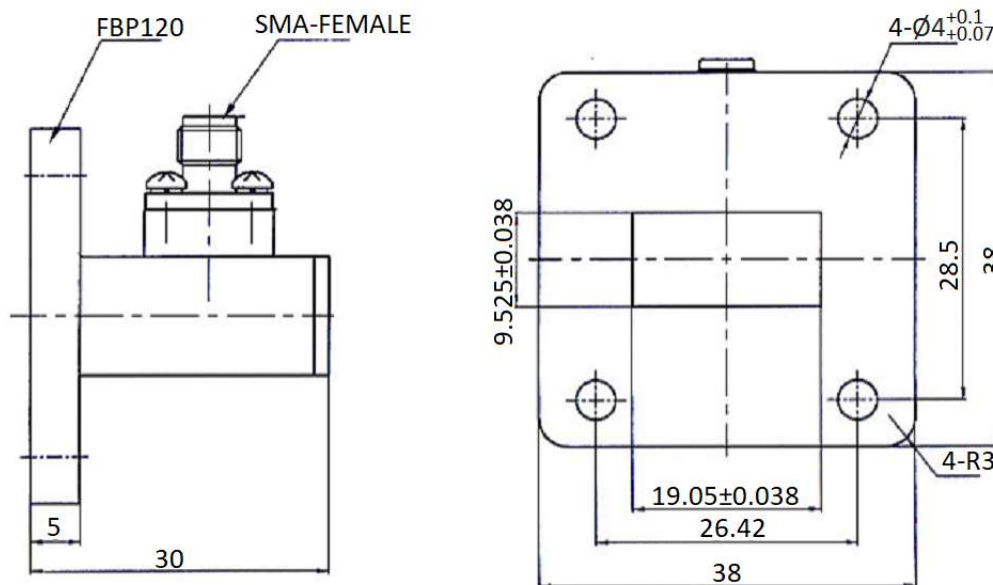
- ✓ WR75 Waveguide Interface
- ✓ Low VSWR
- ✓ Low Insertion Loss

## Specifications

<b>PART NUMBER</b>	<b>MVE17018</b>
<b>DESCRIPTION</b>	SMA Female To WR75, 9.84-15GHz Waveguide Adapter
<b>ELECTRICAL</b>	<b>MATERIALS</b>
FREQUENCY: 9.84-15GHz WAVEGUIDE: WR75 VSWR: 1.25:1 MAX. I.L: 0.3 MAX. FLANGE: FBP120(UBR120) CONNECTOR: SMA Female	BODY: COPPER/BRASS FINISH: INSIDE — SILVER PLATING OUTSIDE — ANTICORROSION GREY PAINT

Tolerance: X= ±0.3

## Outline Drawing (Unit: mm)



NOTES:  
 1. ALL SPECIFICATIONS ARE SUBJECT TO CHANGE WITHOUT NOTICE AT ANY TIME  
 2. CUSTOMER OUTLINE DRAWING FOR REFERENCE ONLY

