

COAXIAL ADAPTER

TNC-SMA Standard Series

Features

- ✓ Frequency up to 6GHz
- ✓ High Performance
- ✓ Low VSWR

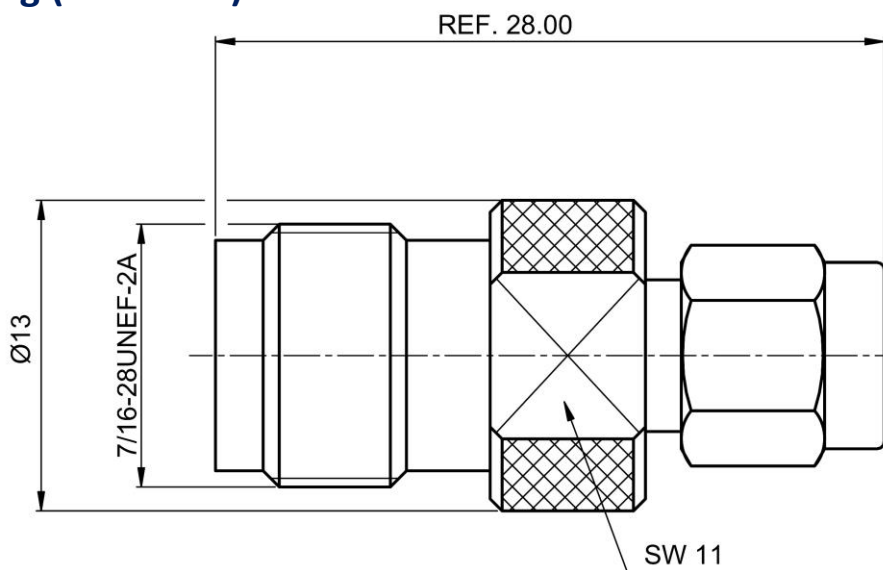


Specifications

PART NUMBER	MVE1571
DESCRIPTION	TNC Female to SMA Male, Adapter, DC-6GHz
ELECTRICAL	MATERIALS
FREQUENCY : DC-6GHz IMPEDANCE: 50OHM WITHSTANDING VOLTAGE: 1000Vrms Max. INSULATION RESISTANCE: $\geq 5000M\Omega$ TEMPERATURE RANGE: -65°C~165°C VSWR: 1.3:1 MAX.	BODY: BRASS, NICKEL PLATED PIN CONTACT: PHOSPHOR BRONZE, GOLD PLATED INSULATOR: PTFE

TOLERANCE: X=±0.5 X.X=±0.2 .XX=±0.13

Outline Drawing (Unit: mm)



NOTES:
 1. ALL SPECIFICATIONS ARE SUBJECT TO CHANGE WITHOUT NOTICE AT ANY TIME
 2. CUSTOMER OUTLINE DRAWING FOR REFERENCE ONLY

