

WAVEGUIDE ADAPTER

MVE15112

N Female to WR112

6.57-9.99GHz

Features

- ✓ Frequency range from 6.57GHz to 9.99GHz
- ✓ Low Insertion loss and Low VSWR
- ✓ WR112 With Flange PBR84

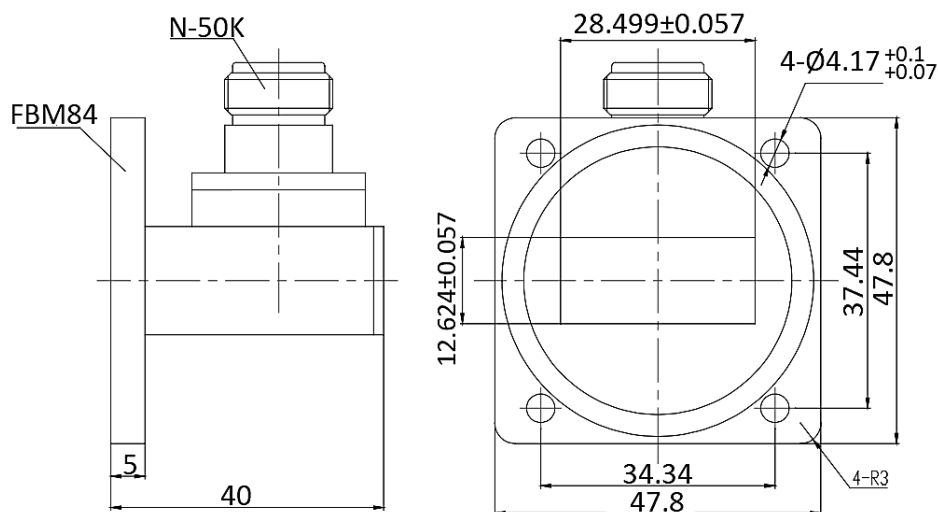


Specifications

PART NUMBER	MVE15112
DESCRIPTION	N Female To WR112, 6.57-9.99GHz Waveguide Adapter
ELECTRICAL	MATERIALS
FREQUENCY: 6.57-9.99GHz WAVEGUIDE: WR112 VSWR: 1.25:1 MAX. INSERTION LOSS: 0.2dB MAX. FLANGE: PBR84 CONNECTOR: N Female	BODY: BRASS COPPER INSIDE FINISH: SILVER PLATING OUTSIDE FINISH: ANTICORROSION GREY PAINT

Tolerance: $\pm 0.3\text{mm}$

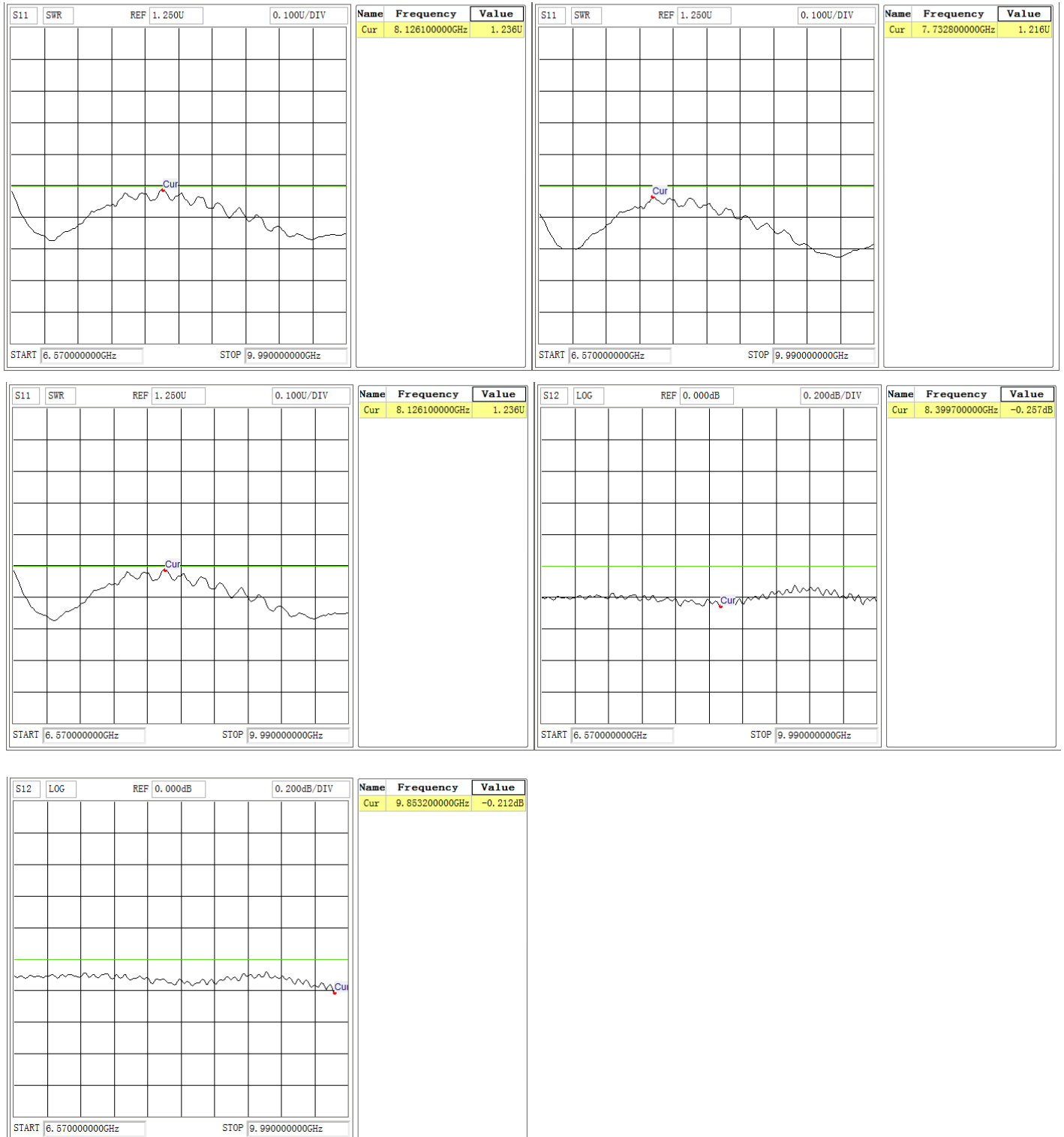
Outline Drawing (Unit: mm)



NOTES:

1. ALL SPECIFICATIONS ARE SUBJECT TO CHANGE WITHOUT NOTICE AT ANY TIME
2. CUSTOMER OUTLINE DRAWING FOR REFERENCE ONLY

Typical Test Result



In IL test setup, two same Waveguide to Coaxial Adaptors are connected through one Coaxial Adapter. The test result is the total IL of two Waveguide to Coaxial Adaptors plus one Coaxial Adapter. In calculation, deducting the IL of one Coaxial Adapter (0.2dB) from the total result, then dividing the balance by 2 can get single Waveguide to Coaxial Adaptor's IL.