

# COAXIAL ADAPTER

## N-7/16 Standard Series

### Features

- ✓ Frequency up to 6GHz
- ✓ Low VSWR
- ✓ N to 7/16 Interface

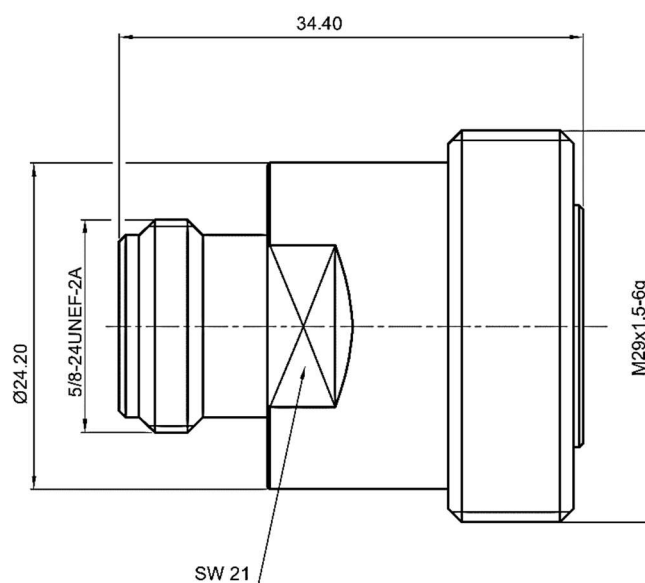


### Specifications

<b>PART NUMBER</b>	<b>MVE1488H</b>
<b>DESCRIPTION</b>	N Female to 7/16 Female Adapter, DC-6GHz
<b>ELECTRICAL</b>	FREQUENCY : 0~6GHz IMPEDANCE: 50Ω WITHSTANDING VOLTAGE:2500V INSULATION RESISTANCE: ≥ 5000MΩ
<b>MATERIALS</b>	BODY: BRASS, ALBALOY-PLATED INSULATOR: PTFE PIN CONTACT: PHOSPHOR BRONZE, SILVER-PLATED

TOLERANCE: X=±0.5 X.X=±0.2 .XX=±0.1 ANGLES=±1°

### Outline Drawing (Unit: mm)



NOTES:

1. ALL SPECIFICATIONS ARE SUBJECT TO CHANGE WITHOUT NOTICE AT ANY TIME
2. CUSTOMER OUTLINE DRAWING FOR REFERENCE ONLY

