

COAXIAL ADAPTER

N Type Precision Series

Features

- ✓ Frequency up to 18GHz
- ✓ High Performance
- ✓ Low VSWR

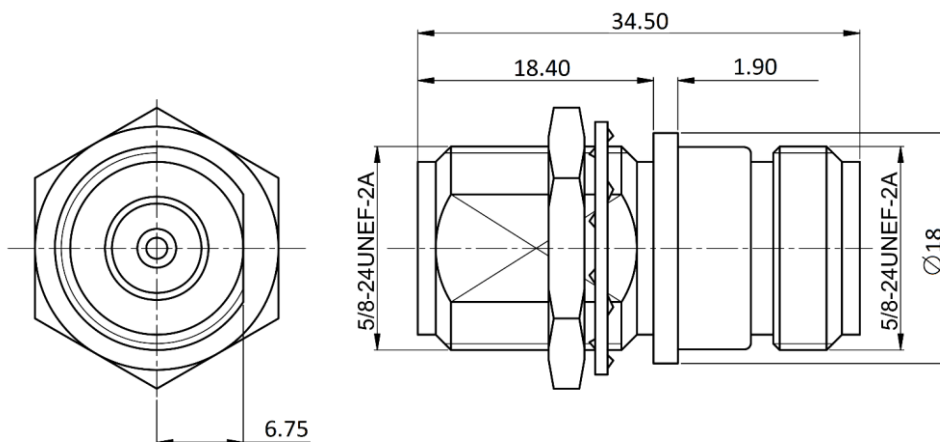


Specifications

PART NUMBER	MVE1485
DESCRIPTION	N Female To N Female Bulkhead Adapter, DC-18GHz/ Stainless
ELECTRICAL	FREQUENCY: DC-18GHz IMPEDANCE: 50Ω VSWR: 1.15:1 MAX. TEMPERATURE: -55~+165°C DURABILITY: 500 CYCLE MIN.
MATERIALS	BODY: STAINLESS STEEL, PASSIVATED INSULATOR: PEI PIN CONTACT: BERYLLIUM COPPER ALLOY, GOLD PLATED

TOLERANCE: X=±0.5 X.X=±0.2 .XX=±0.1

Outline Drawing (Unit: mm)



NOTES:
1. ALL SPECIFICATIONS ARE SUBJECT TO CHANGE WITHOUT NOTICE AT ANY TIME
2. CUSTOMER OUTLINE DRAWING FOR REFERENCE ONLY

