

WAVEGUIDE ADAPTER

N-WR75
9.84-15GHz

Features

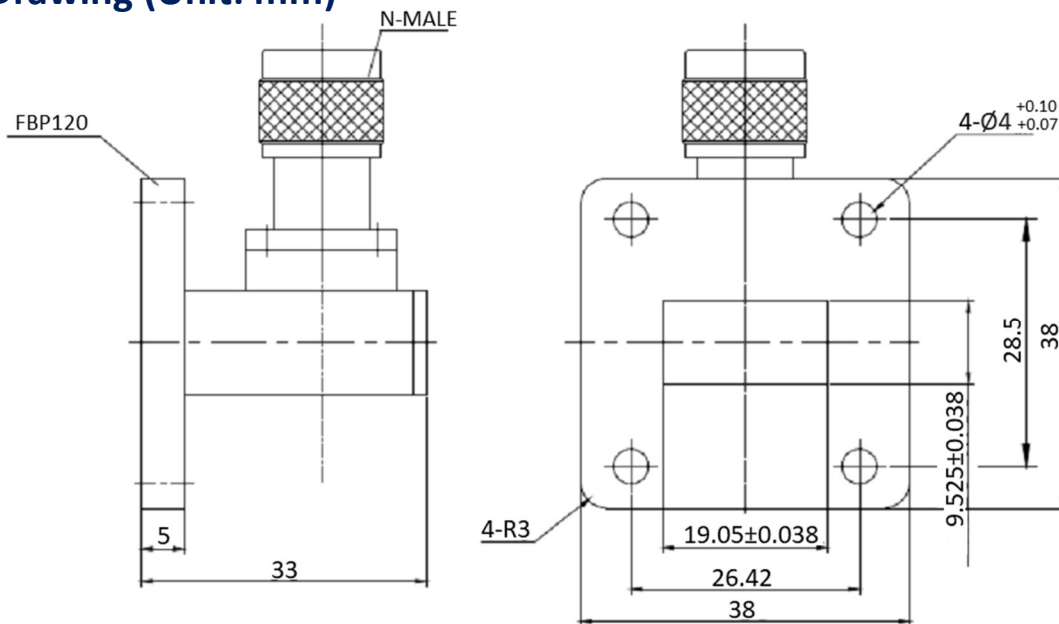
- ✓ Broad Band Coverage
- ✓ Low VSWR
- ✓ High Performance

Specifications

PART NUMBER	MVE13762
DESCRIPTION	N Male To WR75, 9.84-15GHz Waveguide Adapter
ELECTRICAL	MATERIALS
FREQUENCY: 9.84-15GHz WAVEGUIDE: WR75 VSWR: 1.25:1 MAX. I.L: 0.3 MAX. FLANGE: FBP120 CONNECTOR: N MALE	BODY: COPPER/BRASS FINISH: INSIDE —SILVER PLATING OUTSIDE —CORROSION PROTECTED GREY PAINT

Tolerance:±0.2mm

Outline Drawing (Unit: mm)



NOTES:

1. ALL SPECIFICATIONS ARE SUBJECT TO CHANGE WITHOUT NOTICE AT ANY TIME
2. CUSTOMER OUTLINE DRAWING FOR REFERENCE ONLY

