

ELECTRICAL DATA

FREQUENCY : DC-6GHz

IMPEDANCE: 50Ω

VSWR:1.5:1 MAX.

DIELECTRIC WITHSTANDING VOLTAGE: 500 Vrms

WORKING VOLTAGE: 170 Vrms MAX.

INSULATION RESISTANCE: 1000Mega Ohms

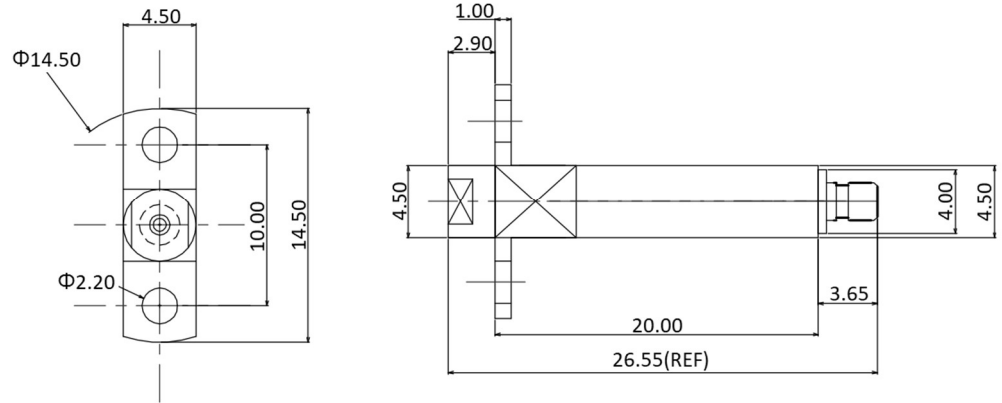
CENTER CONTACT RESISTANCE: 6.0 mini Ohm

OUTER CONTACT RESISTANCE: 2.5 mini Ohm

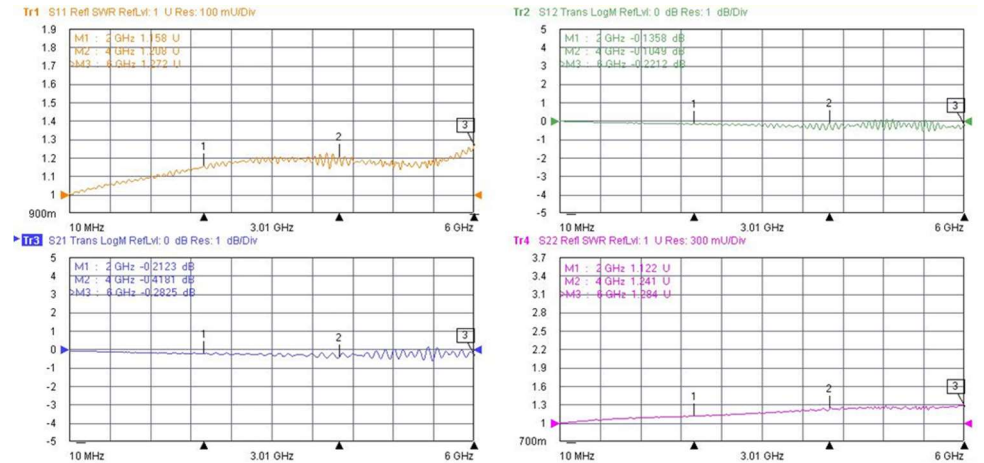
MECHANICAL DATA

COUPLING METHOD:THREADED

DURABILITY(MATING/UNMATING):10000 Cycles



TYP. TEST RESULT



DESCRIPTION	MATERIALS	ROHS COMPLIANCE	UNIT: mm
BODY	BRASS, GOLD PLATED	TOLERANCE:±0.1	
CENTER PIN	BRASS,GOLD PLATED	TITLE	
SPRING	SUS304	MMCX Male To MMCX Female 2 Hole	
INSULATOR	TEFLON	Adapter, DC-6GHz	

NOTES

1. ALL SPECIFICATIONS ARE SUBJECT TO CHANGE WITHOUT NOTICE AT ANY TIME
2. CUSTOMER OUTLINE DRAWING FOR REFERENCE ONLY

MVE 芝程科技有限公司
Microwave

www.micro-mve.com

DC-67GHz RF& Microwave Components

PART NO.	MVE1366	REV	1.0
SIZE: A	SHEET: 1/1	SCALE:	