

WAVEGUIDE ADAPTER

3.5mm to WR112
6.57 - 9.99GHz

Features

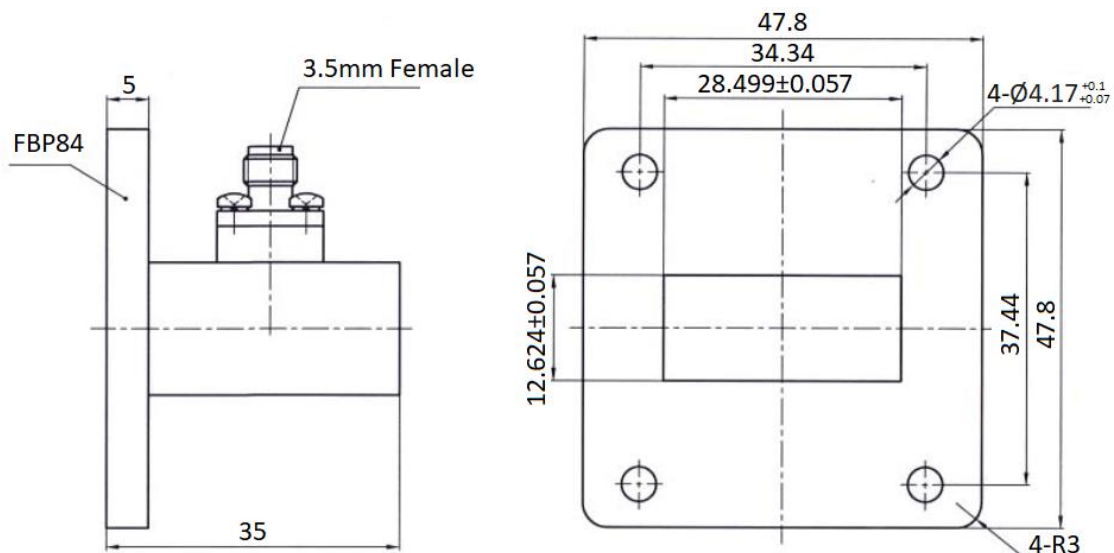
- ✓ Frequency range from 6.57GHz to 9.99GHz
- ✓ WR112 Waveguide Interface
- ✓ 3.5 mm Coaxial Interface

Specifications

PART NUMBER	MVE12076
DESCRIPTION	3.5mm Female to WR112, 6.57-9.99GHz Waveguide Adapter
ELECTRICAL	MATERIALS
FREQUENCY: 6.57-9.99GHz WAVEGUIDE: WR112 CONNECTOR: 3.5mm Female VSWR: 1.25:1 MAX. INSERTION LOSS: 0.3dB MAX.	BODY: COPPER FINISH: INSIDE – SILVER PLATING OUTSIDE – ANTICORROSION GREY PAINT

Tolerance: X= ±0.5

Outline Drawing (Unit: mm)



NOTES:
1. ALL SPECIFICATIONS ARE SUBJECT TO CHANGE WITHOUT NOTICE AT ANY TIME
2. CUSTOMER OUTLINE DRAWING FOR REFERENCE ONLY