

WAVEGUIDE ADAPTR

2.4mm-WR28

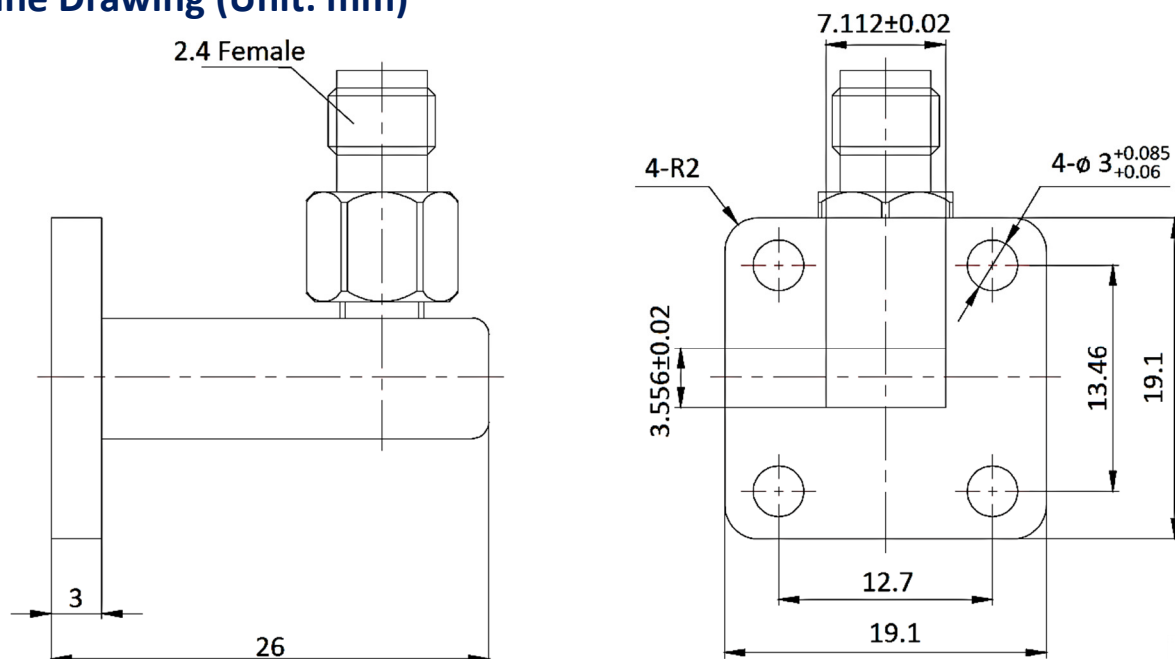
Feature

- ✓ Impedance: 50ohm
- ✓ Frequency: 26.5-40GHz

Specifications

PART NUMBER	MVE11531
DESCRIPTION	2.4mm Female To WR28, 26.5-40GHz Waveguide Adapter/ Silver plating
ELECTICAL	MATERIALS
FREQUENCY : 26.5-40GHz WAVEGUIDE: WR28 VSWR: 1.35:1 MAX INSERTION LOSS: 0.5dB MAX CONNECTOR: 2.4mm Female FLANGE: UG-599/U	BODY: BRASS COPPER INSIDE FINISH: SILVER PLATING OUTSIDE FINISH: ANTICORROSION BLUE PAINT

Outline Drawing (Unit: mm)



NOTES:

1. ALL SPECIFICATIONS ARE SUBJECT TO CHANGE WITHOUT NOTICE AT ANY TIME
2. CUSTOMER OUTLINE DRAWING FOR REFERENCE ONLY

