

# WAVEGUIDE ADAPTR

## 2.92mm-WR28

### Features

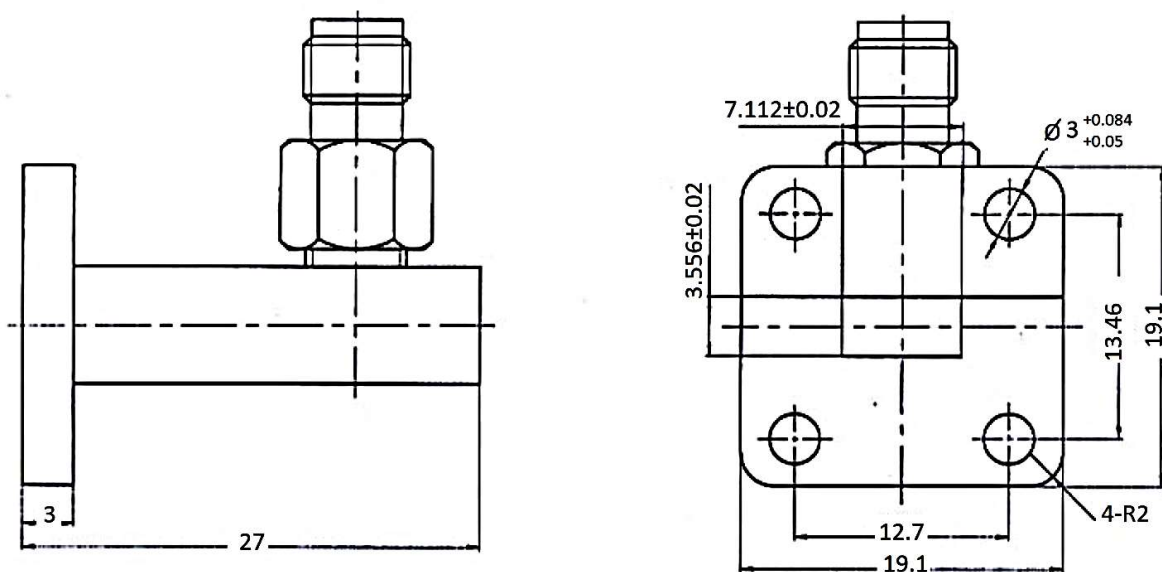
- ✓ Frequency Range:26.5-40GHz
- ✓ Low VSWR
- ✓ Low Insertion Loss

### Specifications

<b>PART NUMBER</b>	<b>MVE11530</b>
<b>DESCRIPTION</b>	2.92mm Female To WR28, 26.5-40GHz Waveguide Adapter
<b>ELECTRICAL</b>	<b>MATERIALS</b>
FREQUENCY: 26.5-40GHz WAVEGUIDE: WR28 VSWR: 1.25:1 MAX. INSERTION LOSS: 0.4dB MAX. CONNECTOR: 2.92mm Female FLANGE: FBP320(UBR320)	MATERIAL: ALUMINUM FINISH: ECRU OXIDATION

Tolerance: X= ±0.5

### Outline Drawing (Unit: mm)



NOTES:

1. ALL SPECIFICATIONS ARE SUBJECT TO CHANGE WITHOUT NOTICE AT ANY TIME
2. CUSTOMER OUTLINE DRAWING FOR REFERENCE ONLY

