

WAVEGUIDE ADAPTER

1.0mm-WR12

Features

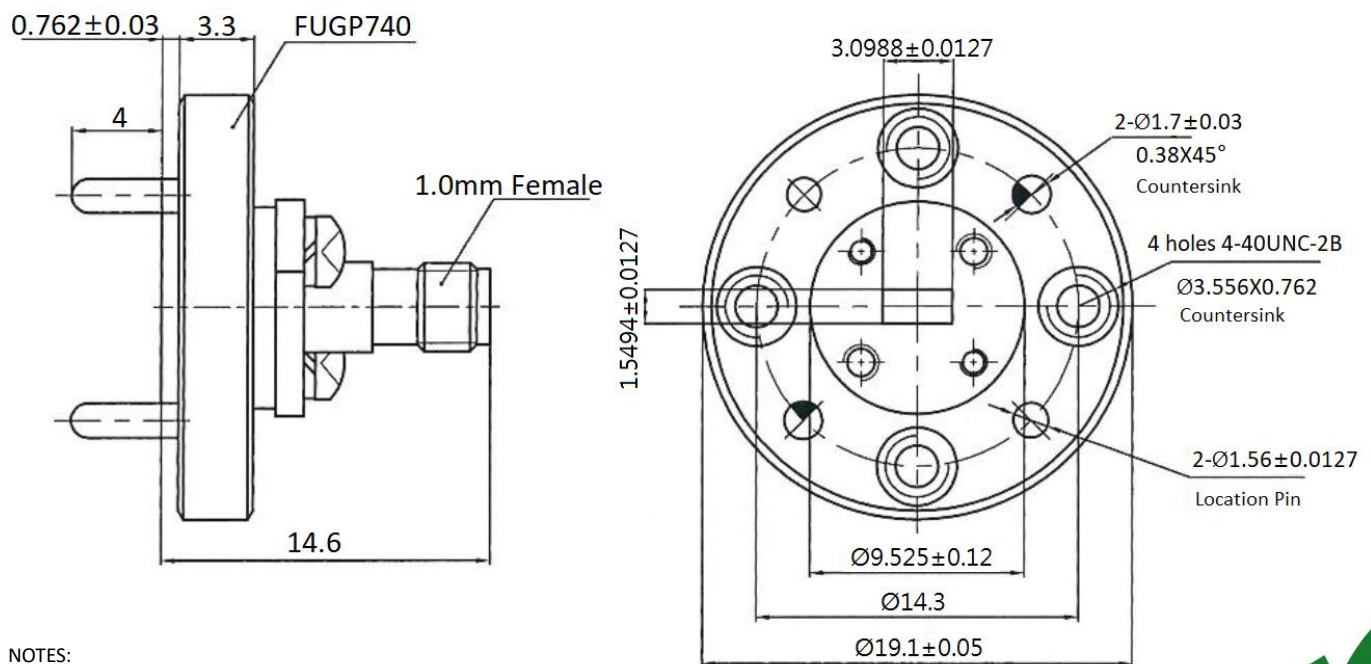
- ✓ Frequency: 60.5-91.9 GHz
- ✓ High Performance
- ✓ 1.0mm – WR12

Specifications

PART NUMBER	MVE11381
DESCRIPTION	1.0mm Female To WR12, 60.5-91.9GHz End Launch Waveguide Adapter
ELECTRICAL	MATERIALS
FREQUENCY: 60.5-91.9GHz WAVEGUIDE: WR12 VSWR: 1.5:1 MAX. INSERTION LOSS: 0.5dB MAX. FLANGE: FUGP740 CONNECTOR: 1.0mm Female	BODY: COPPER/BRASS FINISH: GOLD PLATING

Tolerance:±0.5mm

Outline Drawing (Unit: mm)



NOTES:

1. ALL SPECIFICATIONS ARE SUBJECT TO CHANGE WITHOUT NOTICE AT ANY TIME
2. CUSTOMER OUTLINE DRAWING FOR REFERENCE ONLY

