

# COAXIAL ADAPTER

## 2.4mm-2.4mm Precision Series

### Features

- ✓ Frequency up to 50GHz
- ✓ High Durability
- ✓ Low VSWR

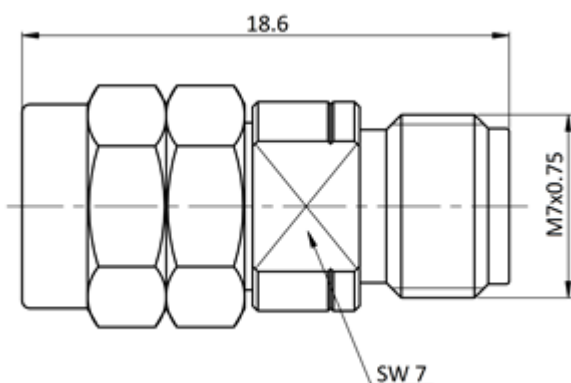


### Specifications:

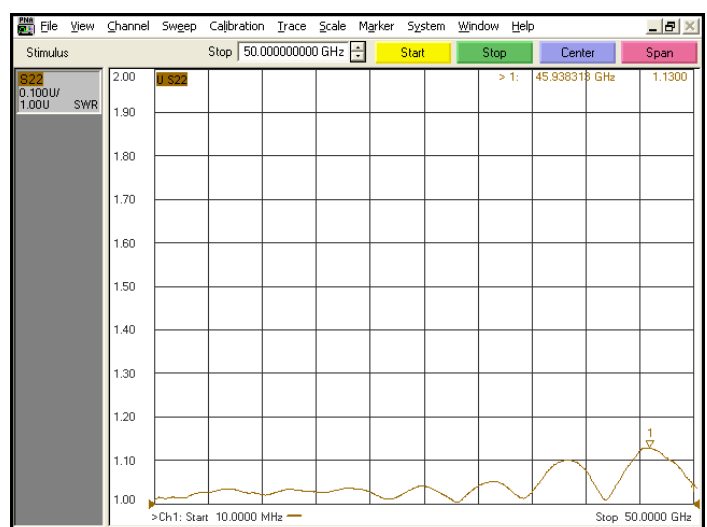
<b>PART NUMBER</b>	<b>MVE1138</b>
<b>DESCRIPTION</b>	2.4mm Male To 2.4mm Female,50GHz Adapter / Stainless
<b>ELECTRICAL</b>	FREQUENCY: DC-50GHz IMPEDANCE: 50Ω VSWR: 1.15:1 MAX. TEMPERATURE:-55°C~+165°C DURABILITY: 500CYCLE MIN.
<b>MATERIALS</b>	BODY: STAINLESS STEEL, PASSIVATED INSULATOR: PEI PIN CONTACT: BERYLLIUM COPPER ALLOY, GOLD PLATED

TOLERANCE: X.X=±0.5

### Outline Drawing (Unit: mm)



### Typical Test Result



NOTES:

1. ALL SPECIFICATIONS ARE SUBJECT TO CHANGE WITHOUT NOTICE AT ANY TIME
2. CUSTOMER OUTLINE DRAWING FOR REFERENCE ONLY

