

# WAVEGUIDE ADAPTER

## 1.85mm-WR15

### Features

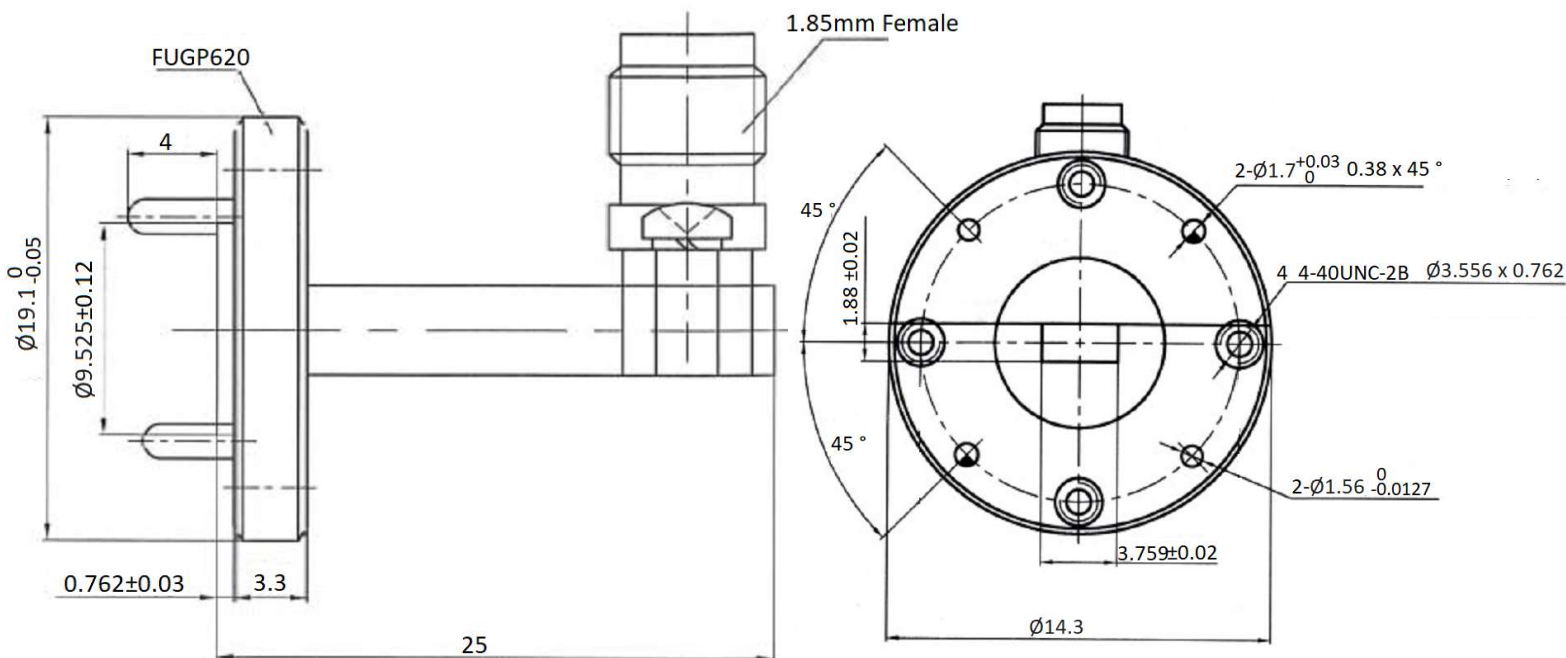
- ✓ Frequency: 50-75 GHz
- ✓ Low VSWR
- ✓ Low Insertion Loss

### Specifications

<b>PART NUMBER</b>	MVE11363
<b>DESCRIPTION</b>	1.85mm Female To WR15, 50-75GHz Waveguide Adapter
<b>ELECTRICAL</b>	<b>MATERIALS</b>
FREQUENCY: 50-75 GHz WAVEGUIDE: WR15 VSWR: 2.0:1 MAX. INSERTION LOSS: 0.8dB FLANGE: FUGP620 CONNECTOR: 1.85mm Female	BODY: BRASS COPPER FINISH: GOLD PLATING

Tolerance: X= ±0.2

### Outline Drawing (Unit: mm)



**NOTES:**

1. ALL SPECIFICATIONS ARE SUBJECT TO CHANGE WITHOUT NOTICE AT ANY TIME
2. CUSTOMER OUTLINE DRAWING FOR REFERENCE ONLY

