

WAVEGUIDE ADAPTER

1.0mm-WR10

Features

- ✓ Frequency: 75-110 GHz
- ✓ Low VSWR
- ✓ Low Insertion Loss

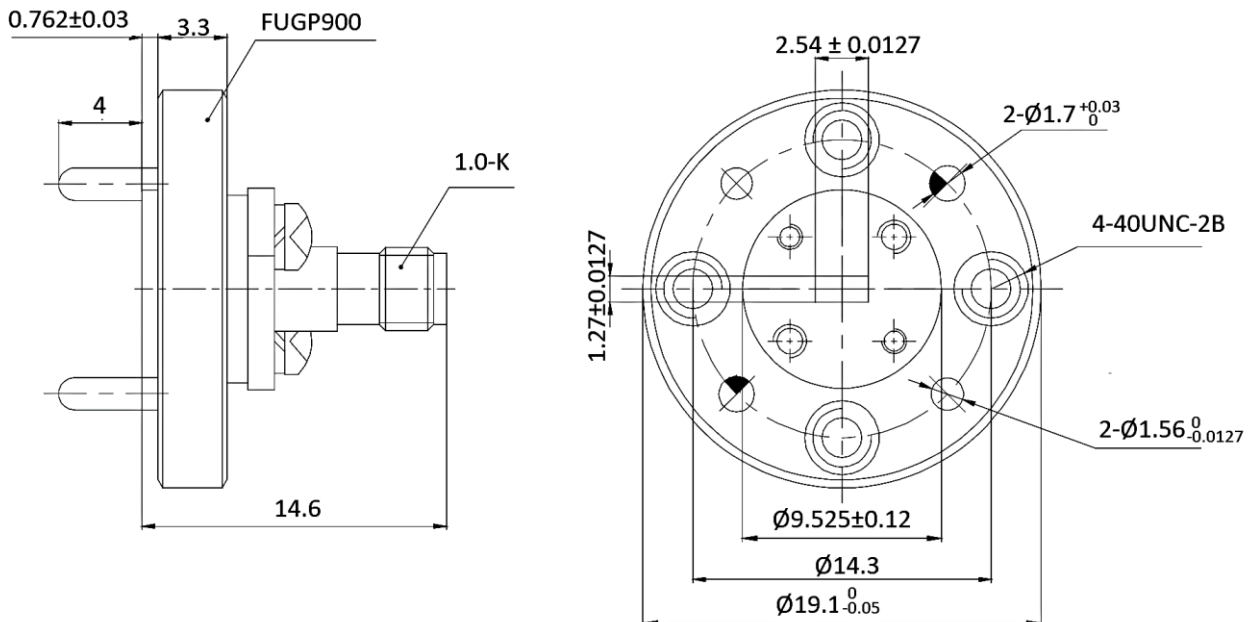


Specifications

PART NUMBER	MVE11362
DESCRIPTION	1.0mm Female To WR10, 75-110GHz Waveguide Adapter
ELECTRICAL	MATERIALS
FREQUENCY: 75-110GHz WAVEGUIDE: WR10 VSWR: 1.6:1 MAX. INSERTION LOSS: 1.3dB FLANGE: FUGP900 CONNECTOR: 1.0mm Female	BODY: BRASS COPPER FINISH: GOLD PLATING

Tolerance: X= ±0.2

Outline Drawing (Unit: mm)



NOTES:

1. ALL SPECIFICATIONS ARE SUBJECT TO CHANGE WITHOUT NOTICE AT ANY TIME
2. CUSTOMER OUTLINE DRAWING FOR REFERENCE ONLY

Typical Test Result

