

WAVEGUIDE ADAPTER

1.0mm-WR12

Features

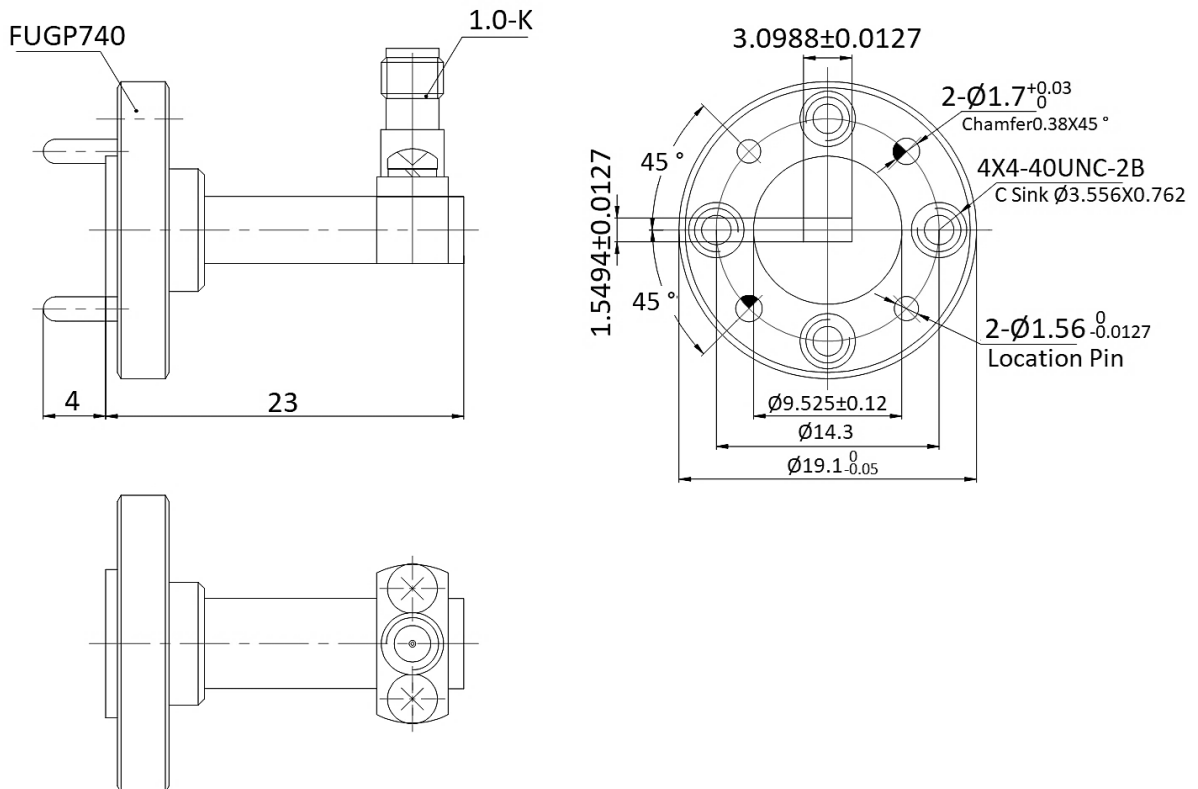
- ✓ Frequency Range:60-90GHz
- ✓ Low VSWR
- ✓ Low Insertion Loss

Specifications

PART NUMBER	MVE11361
DESCRIPTION	1.0mm Female To WR12, 60-90GHz Waveguide Adapter
ELECTRICAL	MATERIALS
FREQUENCY: 60-90GHz WAVEGUIDE: WR12 VSWR: 1.6:1 MAX. INSERTION LOSS: 1.2dB MAX. FLANGE: UG387/U(FUGP740) CONNECTOR: 1.0mm Female	HOUSING MATERIAL: COPPER/BRASS FINISH: GOLD PLATING

Tolerance: ±0.5mm

Outline Drawing (Unit: mm)



NOTES:

1. ALL SPECIFICATIONS ARE SUBJECT TO CHANGE WITHOUT NOTICE AT ANY TIME
2. CUSTOMER OUTLINE DRAWING FOR REFERENCE ONLY