

WAVEGUIDE ADAPTER

2.4mm-WR22

Features

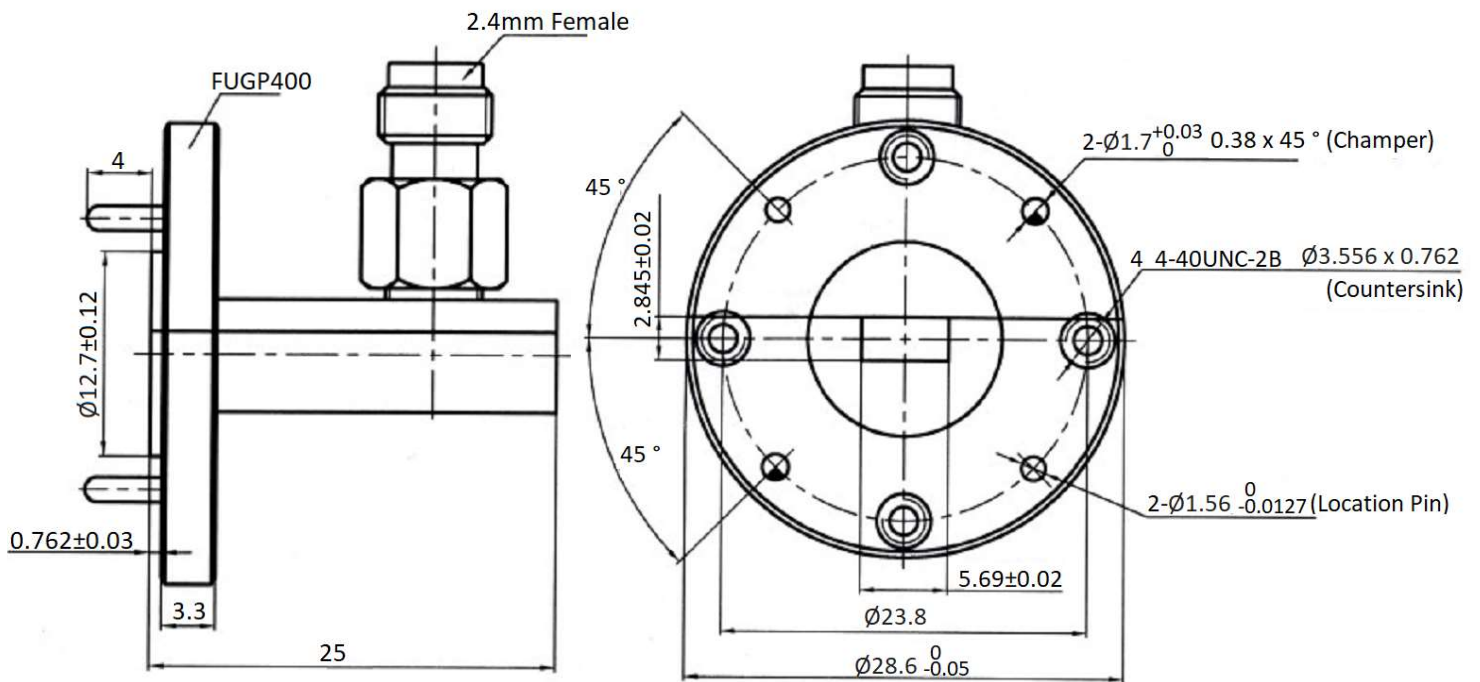
- ✓ Frequency: 33-50 GHz
- ✓ Low VSWR
- ✓ Low Insertion Loss

Specifications

PART NUMBER	MVE11234
DESCRIPTION	2.4mm Female To WR22, 33-50GHz Waveguide Adapter
ELECTRICAL	MATERIALS
FREQUENCY: 33-50 GHz WAVEGUIDE: WR22 VSWR: 1.6:1 MAX. INSERTION LOSS: 0.5dB FLANGE: FUGP400 CONNECTOR: 2.4mm Female	BODY: BRASS COPPER FINISH: GOLD PLATING

Tolerance: X= ±0.2

Outline Drawing (Unit: mm)



NOTES:

1. ALL SPECIFICATIONS ARE SUBJECT TO CHANGE WITHOUT NOTICE AT ANY TIME
2. CUSTOMER OUTLINE DRAWING FOR REFERENCE ONLY

