

# COAXIAL ADAPTER

## 1.0mm-1.85mm Precision Series

### Features

- ✓ Frequency up to 67GHz
- ✓ High performance design
- ✓ Low VSWR

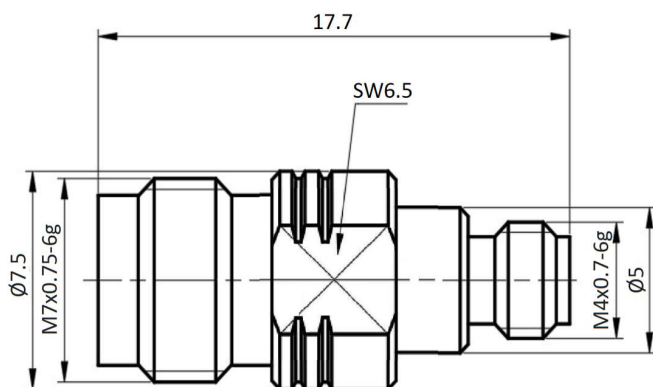


### Specifications:

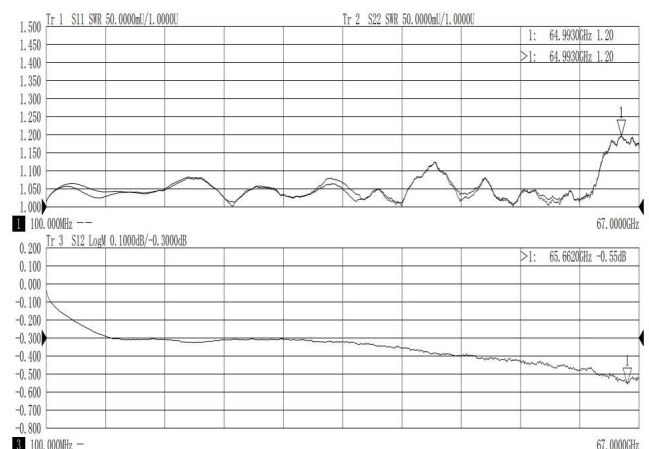
<b>PART NUMBER</b>	<b>MVE1120B</b>
<b>DESCRIPTION</b>	1.0mm Female To 1.85mm Female, 67GHz Adapter/ Stainless
<b>ELECTRICAL</b>	<p>FREQUENCY: DC-67GHz          IMPEDANCE: 50Ω          VSWR: 1.25:1 MAX.          INSERTION LOSS: 0.60dB          TEMPERATURE: -55°C ~+165°C          INSULATION RESISTANCE: 5000 MΩ</p>
<b>MATERIALS</b>	<p>BODY: STAINLESS STEEL, PASSIVATED          CONTACT: BERYLLIUM COPPER, GOLD-PLATED          INSULATOR: PEI</p>

TOLERANCE: X=±0.5 X.X=±0.2 X.XX=±0.12

### Outline Drawing (Unit: mm)



### Typical Test Result



#### NOTES:

1. ALL SPECIFICATIONS ARE SUBJECT TO CHANGE WITHOUT NOTICE AT ANY TIME
2. CUSTOMER OUTLINE DRAWING FOR REFERENCE ONLY

