

WAVEGUIDE ADAPTER

1.85mm-WR12

Features

- ✓ Frequency up to 65GHz
- ✓ Waveguide Flange: WR12
- ✓ 1.85mm Interface

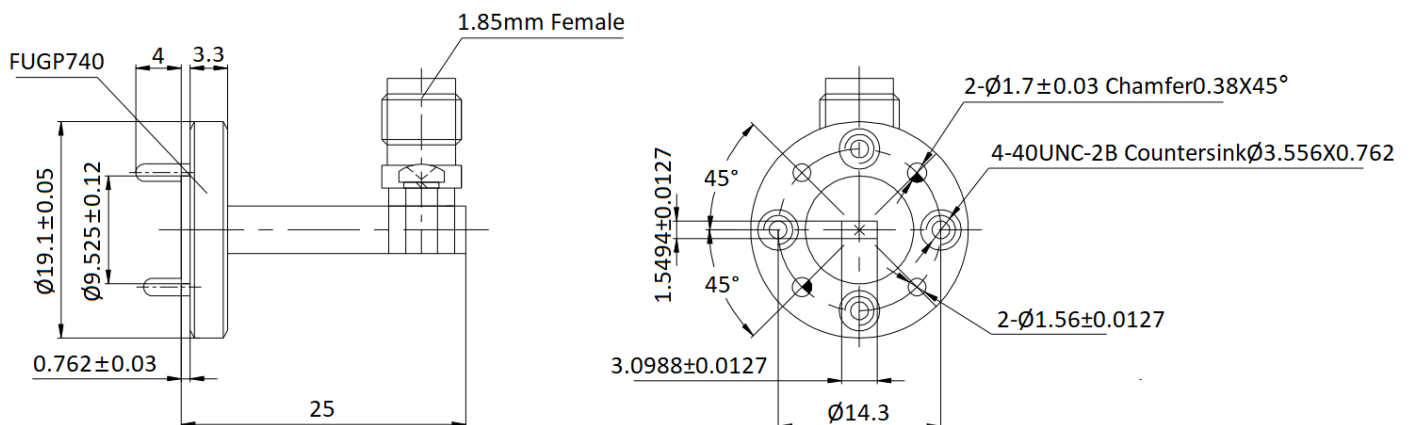


Specifications

PART NUMBER	MVE11107
DESCRIPTION	1.85mm Female To WR12, 60-65GHz Waveguide Adapter
ELECTRICAL	
FREQUENCY : 60-65GHz WAVEGUIDE: WR12 VSWR: 1.8:1 MAX FLANGE: FUGP740 INTERFACE: 1.85mm Female	
MATERIALS	
MATERIAL: COPPER/BRASS FINISH: GOLD PLATED	

Tolerance: X= ±0.5

Outline Drawing (Unit: mm)



- NOTES:
1. ALL SPECIFICATIONS ARE SUBJECT TO CHANGE WITHOUT NOTICE AT ANY TIME
 2. CUSTOMER OUTLINE DRAWING FOR REFERENCE ONLY

