

WAVEGUIDE ADAPTER

1.85mm-WR15

Features

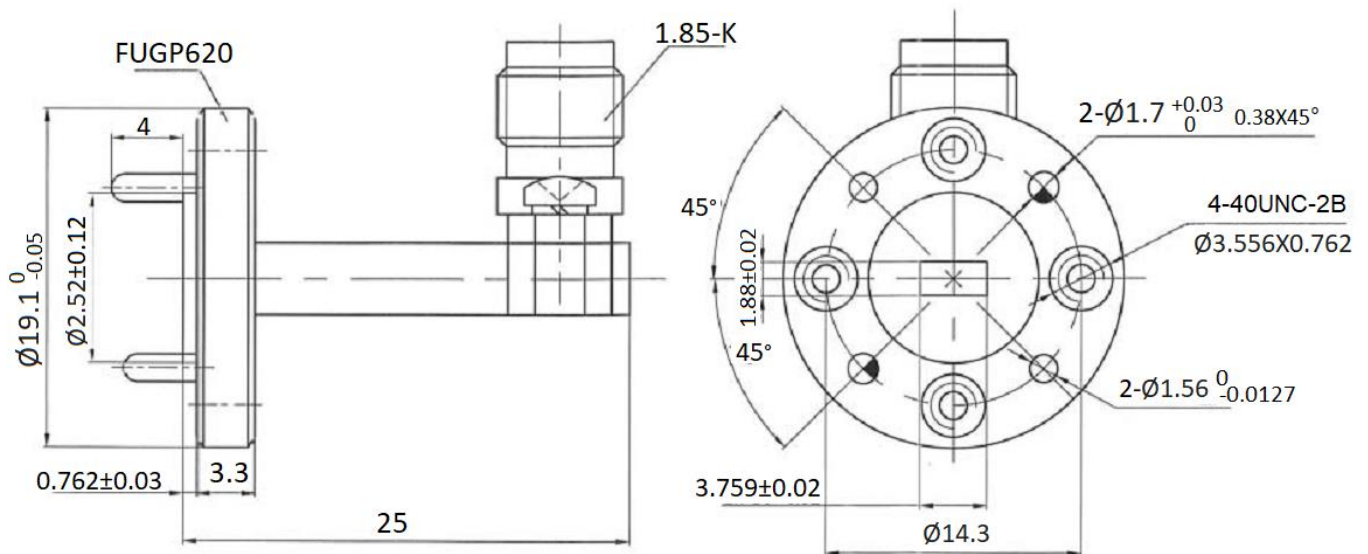
- ✓ Frequency up to 75GHz
- ✓ Waveguide Flange: WR15
- ✓ 1.85mm Interface

Specifications

PART NUMBER	MVE11106
DESCRIPTION	1.85mm Female To WR15, 50-75GHz Waveguide Adapter
ELECTRICAL	
FREQUENCY : 50-75GHz WAVEGUIDE: WR15 VSWR: 2.0:1 MAX FLANGE: FUGP620 INTERFACE: 1.85mm Female	
MATERIALS	
MATERIAL: COPPER/BRASS FINISH: GOLD PLATED	

Tolerance: X= ±0.5

Outline Drawing (Unit: mm)



NOTES:
1. ALL SPECIFICATIONS ARE SUBJECT TO CHANGE WITHOUT NOTICE AT ANY TIME
2. CUSTOMER OUTLINE DRAWING FOR REFERENCE ONLY

