

WAVEGUIDE END-LAUNCH ADAPTER

1.85mm-WR15

Features

- ✓ Operating Frequency Range From 50GHz-67GHz
- ✓ Low Insertion Loss and VSWR
- ✓ 1.85mm to WR15 Interface

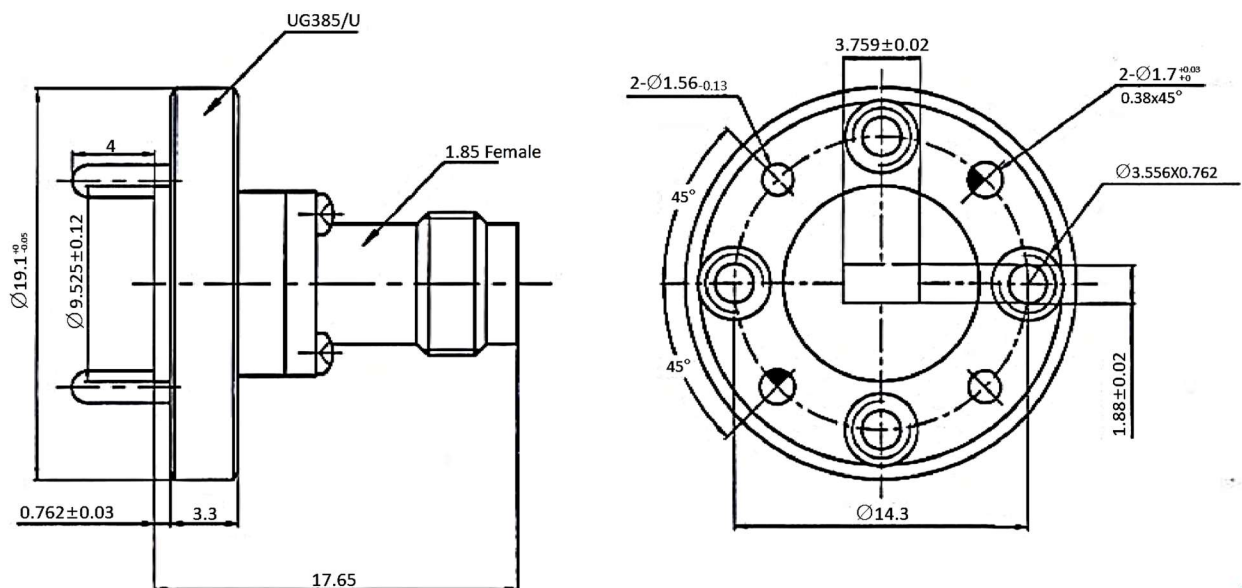


Specifications

PART NUMBER	MVE11105
DESCRIPTION	1.85mm Female To WR15, 50-67GHz Waveguide End-Launch Adapter
ELECTRICAL	MATERIALS
FREQUENCY: 50-67GHz WAVEGUIDE: WR15 FLANGE: UG385/U CONNECTOR: 1.85mm Female VSWR: 1.80:1 MAX. INSERTION LOSS: 1.5 dB MAX.	BODY: BRASS COPPER FINISH: GOLD PLATING

Tolerance: ±0.2mm

Outline Drawing (Unit: mm)



NOTES:

1. ALL SPECIFICATIONS ARE SUBJECT TO CHANGE WITHOUT NOTICE AT ANY TIME
2. CUSTOMER OUTLINE DRAWING FOR REFERENCE ONLY

