

COAXIAL ADAPTER

75ohm F Type DC-3GHz

Features

- ✓ Impedance: 75 Ohm
- ✓ Low Insertion Loss
- ✓ Low VSWR

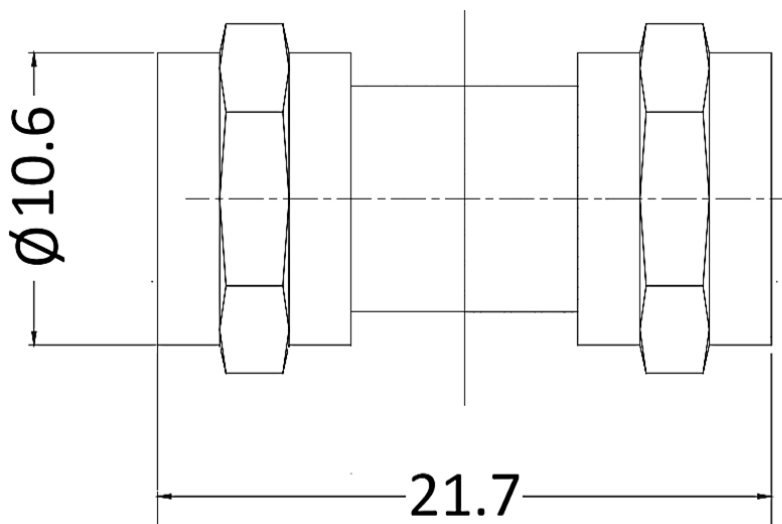


Specifications:

PART NUMBER	MVE1021
DESCRIPTION	75 Ohm F Male To F Male Adapter, DC-3GHz
ELECTRICAL	
FREQUENCY: DC-3GHz IMPEDANCE: 75 Ohm INSERTION LOSS: 0.5dB MAX. RETURN LOSS: 16dB MIN.	
MATERIALS	
BODY: BRASS, NICKEL PALTED CONTACT: BRASS, NICKEL PALTED INSULATOR: POM	

Tolerance: ±0.5mm

Outline Drawing (Unit: mm)



NOTES:
 1. ALL SPECIFICATIONS ARE SUBJECT TO CHANGE WITHOUT NOTICE AT ANY TIME
 2. CUSTOMER OUTLINE DRAWING FOR REFERENCE ONLY

