

# COAXIAL ADAPTER

## 75OHM F Standard Series

### Features

- ✓ Impedance :75 Ohm
- ✓ Low VSWR
- ✓ High performance design

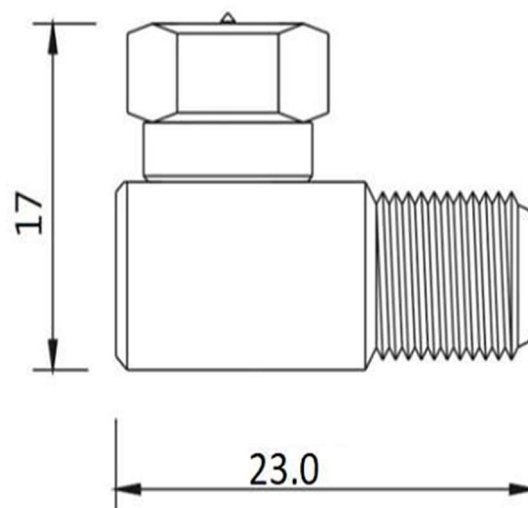


### Specifications:

<b>PART NUMBER</b>	MVE1007	
<b>DESCRIPTION</b>	75 Ohm F Male To F Female R/A Adapter	
	<b>ELECTRICAL</b>	<b>MATERIALS</b>
	FREQUENCY : 5-2000MHz IMPEDANCE: 75 Ohm VSWR: 1.5:1 MAX. TEMPERATURE RANGE:-40°C ~ + 60°C	BODY: BRASS, NICKEL PLATED CONTACT: BRASS, NICKEL PLATED INSULATOR: TEFLON

TOLERANCE: X=±0.4

### Outline Drawing (Unit: mm)



NOTES:  
1. ALL SPECIFICATIONS ARE SUBJECT TO CHANGE WITHOUT NOTICE AT ANY TIME  
2. CUSTOMER OUTLINE DRAWING FOR REFERENCE ONLY



## Typical Test Report

