

# COAXIAL ADAPTER

# 75OHM F TO 75OHM F Standard Series

## Features

- ✓ Impedance : 75 Ohm
- ✓ High performance design
- ✓ Low VSWR

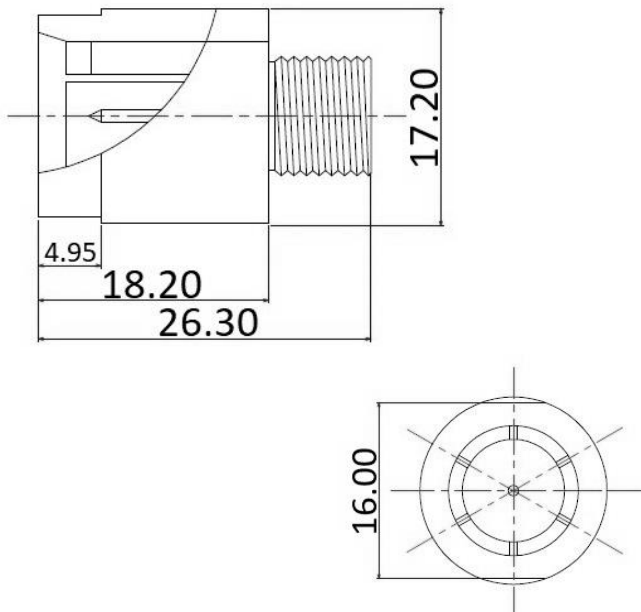


## Specifications:

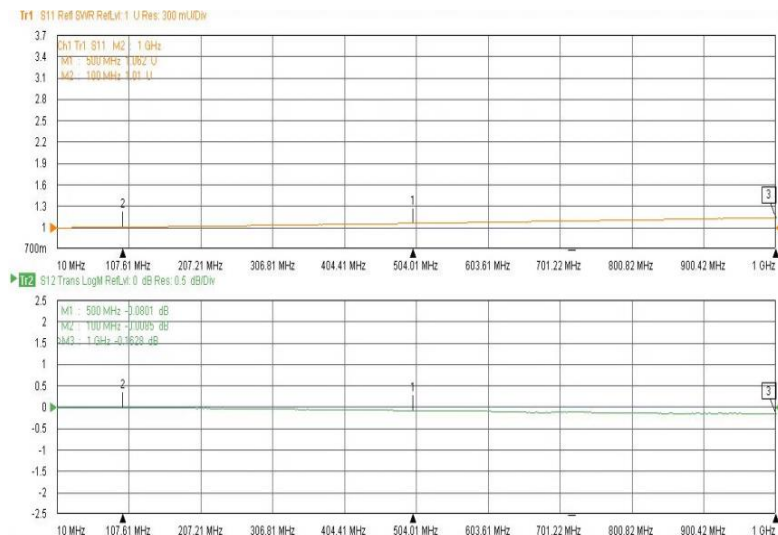
<b>PART NUMBER</b>	MVE1005
<b>DESCRIPTION</b>	75 Ohm F Male Quick To F Female Adapter
<b>ELECTRICAL</b>	<b>MATERIALS</b>
FREQUENCY : DC-1GHz IMPEDANCE: 75 Ohm VSWR: 1:1.5 MAX. DURABILITY:10000 CYCLES	BODY: BRASS, NICKEL PLATED CONTACT: PHOSPHOR BRONZE, NICKEL PLATED INSULATOR: PE/POM

Tolerance: ±0.5mm

## Outline Drawing (Unit: mm)



## Typical Test Result



NOTES:

1. ALL SPECIFICATIONS ARE SUBJECT TO CHANGE WITHOUT NOTICE AT ANY TIME
2. CUSTOMER OUTLINE DRAWING FOR REFERENCE ONLY

