

COAXIAL ADAPTER

75ohm N To F Type Standard Series

Features

- ✓ Low VSWR
- ✓ Low Insertion Loss
- ✓ Impedance: 75 Ohm

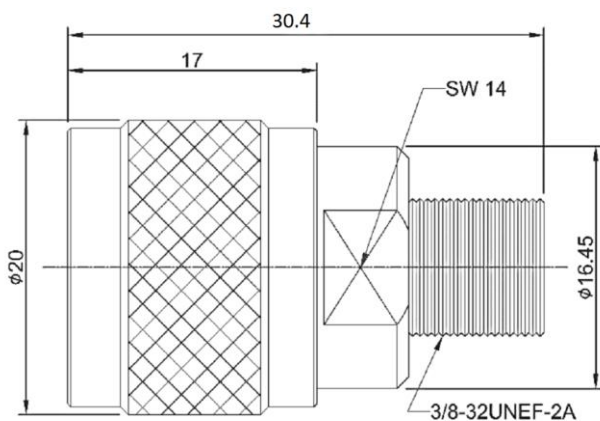


Specifications:

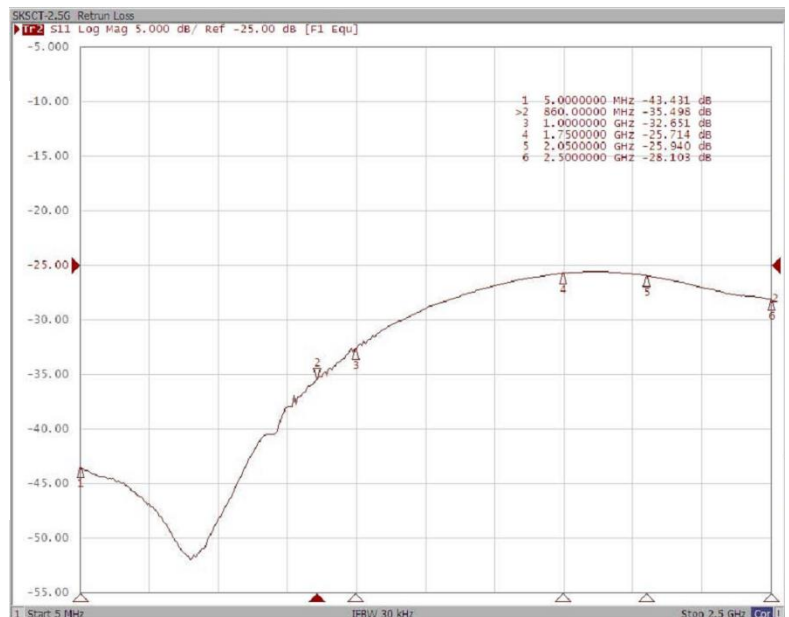
PART NUMBER	MVE1004
DESCRIPTION	75 Ohm N Male To 75Ohm F Female Adapter
ELECTRICAL	MATERIALS
FREQUENCY: DC-3GHz IMPEDANCE: 75Ohm VSWR: 1.35:1 MAX. TEMPERATURE RANGE: -40°C ~ + 60°C	BODY: BRASS, NICKEL PLATED CONTACT: BERYLLIUM COPPER INSULATOR: TEFLON

TOLERANCE: X=±0.2mm

Outline Drawing (Unit: mm)



Typical Test Report



NOTES:

1. ALL SPECIFICATIONS ARE SUBJECT TO CHANGE WITHOUT NOTICE AT ANY TIME
2. CUSTOMER OUTLINE DRAWING FOR REFERENCE ONLY

