

MATCHING PAD

50ohm SMA To 75ohm F

Features

- ✓ Impedance Matching
- ✓ Frequency Range:DC-3GHz
- ✓ Low VSWR



SPECIFICATION

TEMPERATURE RANGE: -10°C To +50°C

PART NUMBER	FREQUENCY	50 Ohm CONNECTOR	75 Ohm CONNECTOR	INSERTION LOSS	VSWR (MAX.)	AVERAGE POWER
-------------	-----------	------------------	------------------	----------------	-------------	---------------

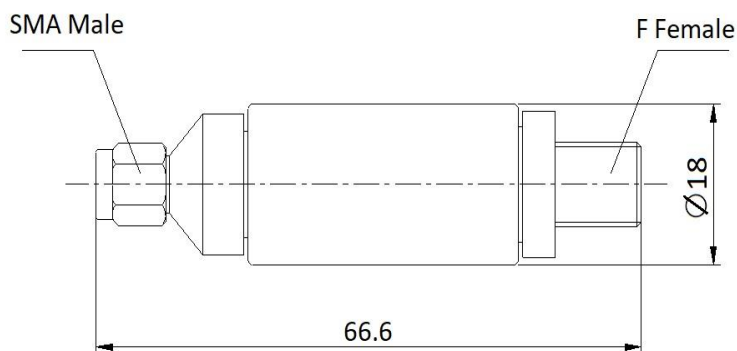
MPD1613.02	DC-3GHz	SMA Male	F Female	5.7±0.5dB	1.15:1	2 Watts
------------	---------	----------	----------	-----------	--------	---------

MATERIALS

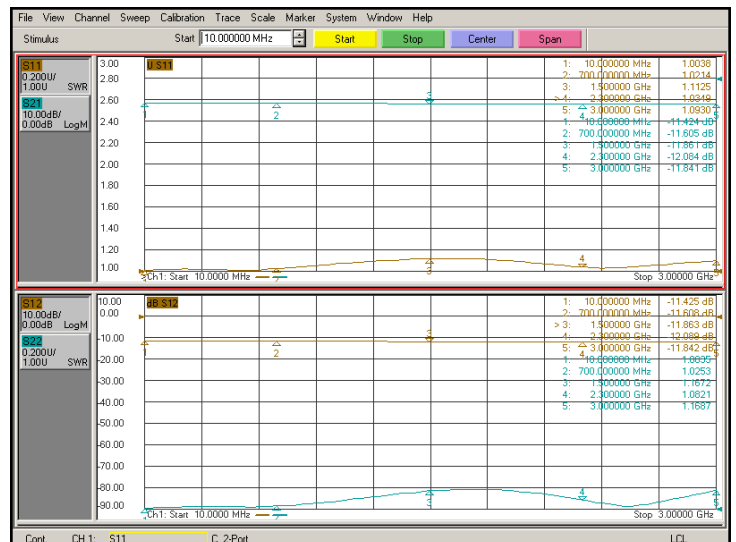
BODY: BRASS, NICKEL PLATED
CENTER CONTACT: BRASS(M) & BeCu (F), GOLD PLATED
INSULATOR: TEFLON

TOLERANCE: X=±05%

Outline Drawing (Unit: mm)



Typical Test Result



NOTES:

1. ALL SPECIFICATIONS ARE SUBJECT TO CHANGE WITHOUT NOTICE AT ANY TIME
2. CUSTOMER OUTLINE DRAWING FOR REFERENCE ONLY

