

MATCHING PAD

50ohm N To 75ohm N

MVE Impedance matching pads are used to match 2 different impedances and connect the interface between 50ohm & 75ohm sides. The typical loss for these matching pads is 5.7dB.



SPECIFICATIONS

PART NUMBER	FREQUENCY	50ohm CONNECTOR	75ohm CONNECTOR	INSERTION LOSS	VSWR MAX.	INPUT POWER AVG.
MPD1415.03	DC-3GHz	N Male	N Female	5.7dB±0.5dB	1.2	1WATT

MECHANICAL

MATERIALS

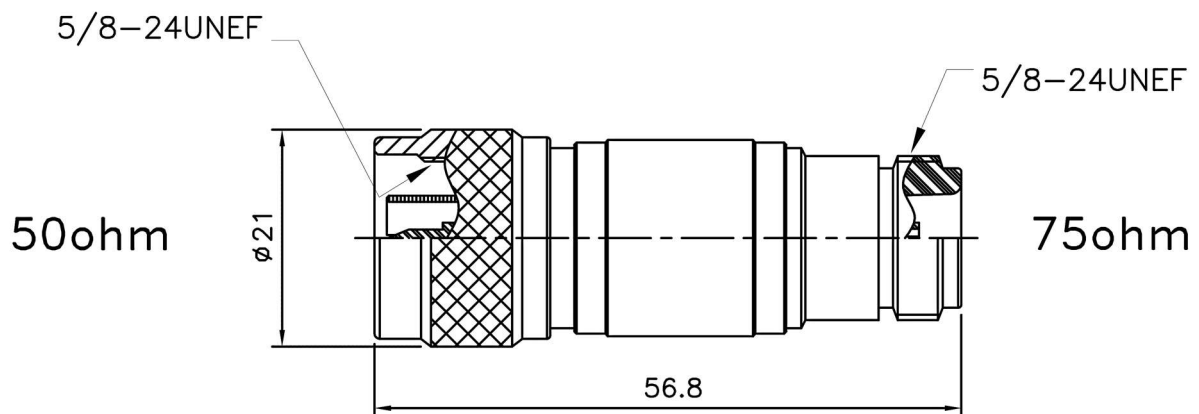
BODY : BRASS, NICKEL PLATED
CENTER CONTACT: BRASS & BeCU, GOLD PALTED
INSULATOR: PTFE

ENVIRONMENTAL

OPERATING TEMPERATURE.: -30°C~+70°C

Tolerance:±0.05mm

Outline Drawing (Unit: mm)



NOTES:

1. ALL SPECIFICATIONS ARE SUBJECT TO CHANGE WITHOUT NOTICE AT ANY TIME
2. CUSTOMER OUTLINE DRAWING FOR REFERENCE ONLY

