

MATCHING PAD

50ohm N To 75ohm F

MVE Impedance matching pads are used to match 2 different impedances and connect the interface between 50ohm & 75 ohm sides. The typical loss for these matching pads is 5.7dB.



SPECIFICATION

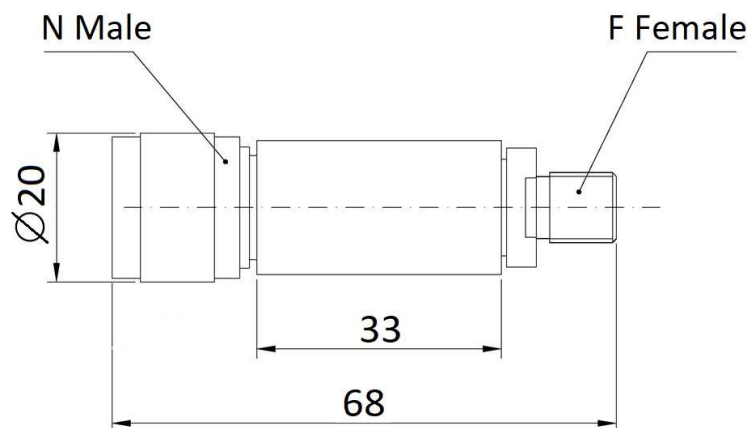
TEMPERATURE RANGE: -10°C To +50°C

PART NUMBER	FREQUENCY	50 Ohm CONNECTOR	75 Ohm CONNECTOR	INSERTION LOSS	VSWR MAX.	AVERAGE POWER
MPD1413.04	DC-2GHz	N Male	F Female	5.7±0.5dB	1.15:1	2 Watts

MATERIALS

BODY: ALUMINUM
CONNECTORS: BRASS, NICKEL PLATED
CENTER CONTACT: BRASS(M) & BeCU (F), GOLD PLATED
INSULATOR: TEFLON
TOLERANCE: X=±0.5mm

Outline Drawing (Unit: mm)



NOTES:

1. ALL SPECIFICATIONS ARE SUBJECT TO CHANGE WITHOUT NOTICE AT ANY TIME
2. CUSTOMER OUTLINE DRAWING FOR REFERENCE ONLY

