

MATCHING PAD

75ohm BNC To 50ohm SMA

MVE Impedance matching pads are used to match 2 different impedances and connect the interface between 50ohm & 75 ohm sides. The typical loss for these matching pads is 5.7dB.

SPECIFICATION

TEMPERATURE RANGE: -10°C To +50°C

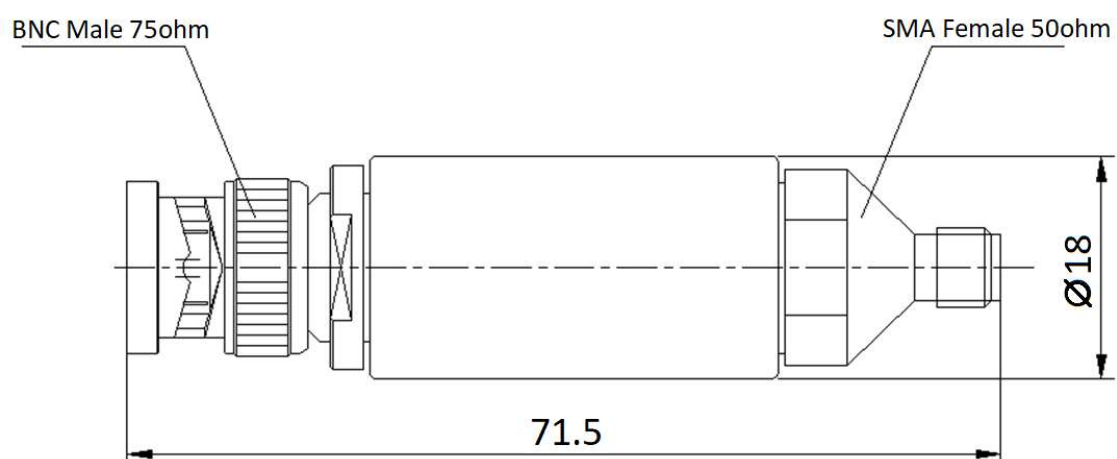
PART NUMBER	FREQUENCY	75 ohm CONNECTOR	50 ohm CONNECTOR	INSERTION LOSS	VSWR MAX.	AVERAGE POWER
MPD1017.01	DC-3GHz	BNC Male	SMA Female	5.7±0.5dB	1.15:1	2 Watt

MATERIALS

BODY: BRASS, NICKEL PLATED
CENTER CONTACT: BRASS, GOLD PLATED
INSULATOR: TEFLON

TOLERANCE: X=±0.5mm

Outline Drawing (Unit: mm)



NOTES:

1. ALL SPECIFICATIONS ARE SUBJECT TO CHANGE WITHOUT NOTICE AT ANY TIME
2. CUSTOMER OUTLINE DRAWING FOR REFERENCE ONLY

