

# Low Noise Amplifier(Snap Ring)

**MPC1840.50**  
**18GHz-40GHz**

## Features

- ✓ Broad band operation from 18 to 40 GHz
- ✓ Low VSWR, unconditional stable
- ✓ POE Power Supply
- ✓ 2.92mm female connector I/O
- ✓ Gain: 54dB Typical
- ✓ Operating temperature 0~+50°C
- ✓ Storage temperature 0~+60°C

## Specifications

Parameters	Minimum	Typical	Maximum
Frequency Range	18GHz		40GHz
Small Signal Gain	50 dB	54 dB	
Gain Flatness		±2.0 dB	±3.0 dB
Noise Figure		5.0dB	
Input VSWR		1.8:1	2.5:1
Output VSWR		1.8:1	2.8:1
Output 1 dB Compression Point (P1dB)	20 dBm	21 dBm	
Output Third Order Intercept (OIP3)		32 dBm	
Power Supply		POE/48V	
RF In/Out connectors	2.92mm female		
Weight	About 1KG		
Size (mm)	171.2mmx127.2mmx48.8mm		

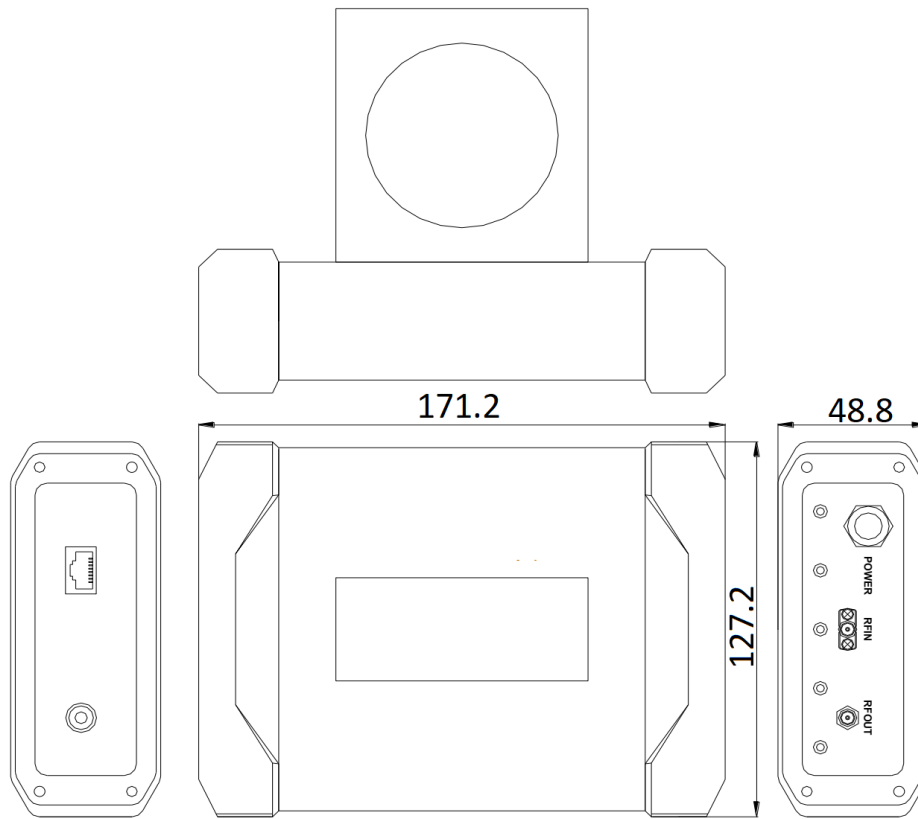
**\*\*Note:** The device will be damaged when exceeding the absolute maximum rating. It's electrostatic sensitive product and should observe the principle of electrostatic when operating. The shell temperature should not exceed +50°C. Appropriate radiators or fans are required when necessary.

NOTES  
1. ALL SPECIFICATIONS ARE SUBJECT TO CHANGE WITHOUT NOTICE AT ANY TIME  
2. CUSTOMER OUTLINE DRAWING FOR REFERENCE ONLY



Tolerance: X= ±0.5

**Outline Drawing (Unit: mm)**



Absolute Maximum Ratings	
RF Input Power(RFIN)	10dBm
Operating Temperature	0~+50°C
Storage Temperature	0~+60°C

NOTES:  
1. ALL SPECIFICATIONS ARE SUBJECT TO CHANGE WITHOUT NOTICE AT ANY TIME  
2. CUSTOMER OUTLINE DRAWING FOR REFERENCE ONLY

