

AC- POWER AMPLIFIER

MPC0104.31
0.1GHz-4GHz

Features

- ✓ Broad band operation from 0.1 to 4 GHz
- ✓ Low VSWR, unconditional stable
- ✓ Convenient AC Power Input. (AC 110V/220V)
- ✓ SMA female connector I/O
- ✓ Gain: 31dB Typical
- ✓ Operating temperature -40~+85°C
- ✓ Storage temperature -50~+105°C

Specifications

Parameters	Minimum	Typical	Maximum	Minimum	Typical	Maximum
Frequency Range	0.1GHz		2GHz	2GHz		4GHz
Gain	30 dB	32 dB		30 dB	31 dB	
Gain Flatness		±1.5 dB			±1.0 dB	
Gain Variation Over Temperature (-40°C~+85°C)		±1.0 dB			±1.0 dB	
Input Return Loss		14 dB			12 dB	
Output 1 dB Compression Point (P1dB)	32 dBm	33 dBm		31 dBm	32 dBm	
Saturated Output Power (Psat)		35 dBm			33 dBm	
Isolation S12	-60 dB	-65 dB		-70 dB	-75 dB	
Operating Temperature	-40°C		+85°C			
Storage Temperature	-50°C		+105°C			
Reference Supply Current (I _{dd}) (V _{dd} = +12V)		250mA	1000mA		250mA	1000mA
RF In/Out connectors	SMA female					
Size (mm)	197.4mmx196mmx90mm					

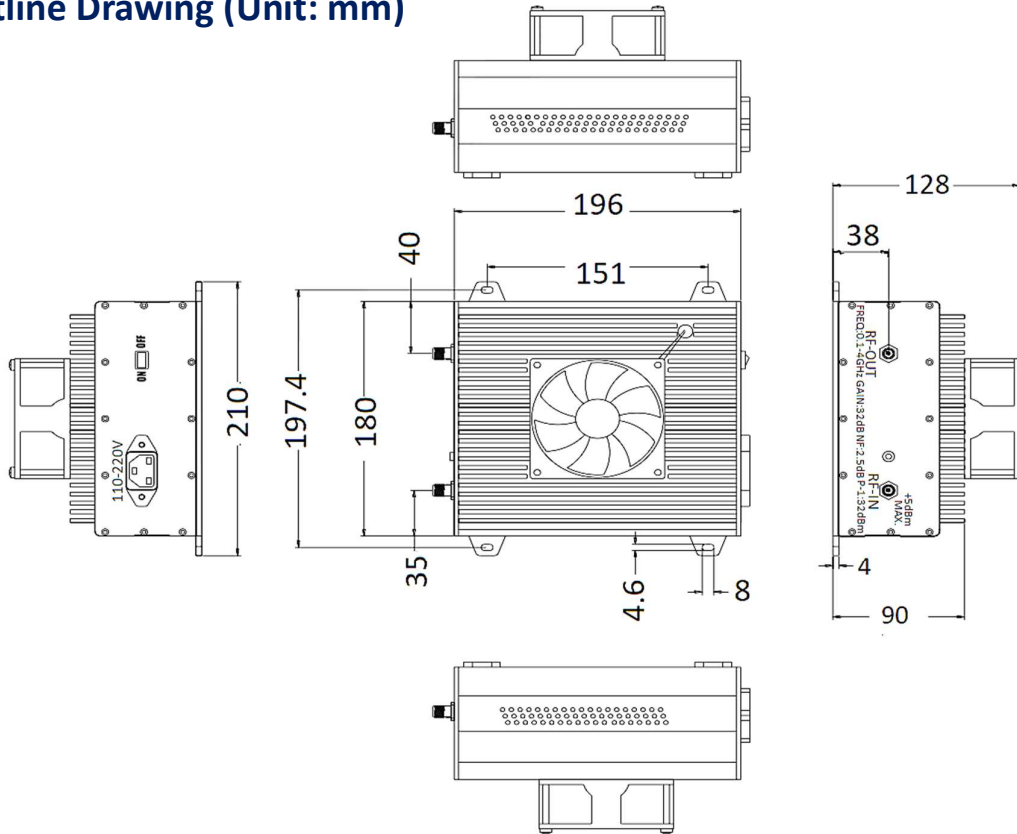
NOTES:

1. ALL SPECIFICATIONS ARE SUBJECT TO CHANGE WITHOUT NOTICE AT ANY TIME
2. CUSTOMER OUTLINE DRAWING FOR REFERENCE ONLY



Tolerance: X= ±0.5

Outline Drawing (Unit: mm)



Absolute Maximum Ratings	
Operating Voltage	AC110~220V
RF Input Power(RFIN)	+5dBm
Storage Temperature	-50~+105°C

Biasing Up Procedure	
Step 1	Connect input and output with 50 Ohm source and load with in band return loss better than 10dB
Step 2	Connect AC Plug
Step 3	Flip switch to "ON" position

Power OFF Procedure	
Step 1	Flip switch to "OFF" position
Step 2	Remove AC Plug
Step 3	Remove RF Connection

Environmental Specifications	
Operational Temperature	-40~+85°C
Altitude	30,000 ft. (Epoxy Sealed Controlled environment)
	60,000 ft 1.0psi min (Hermetically Sealed Un-controlled environment) (Optional)
Vibration	25g RMS (15 degrees 2KHz) endurance, 1 hour per axis
Humidity	100% RH at 35c, 95%RH at 40°c
Shock	20G for 11msec half sine wave, 3 axis both directions

****Note:** Maximum RF input power is set to assure safety of amplifier. Input power may be increased at own risk to achieve full power of amplifier. Please reference gain and power curves.

NOTES:
1. ALL SPECIFICATIONS ARE SUBJECT TO CHANGE WITHOUT NOTICE AT ANY TIME
2. CUSTOMER OUTLINE DRAWING FOR REFERENCE ONLY

