

NOTCH FILTER

MFN-1880.1920.S4

1880MHz~1920MHz(REJECT BAND)



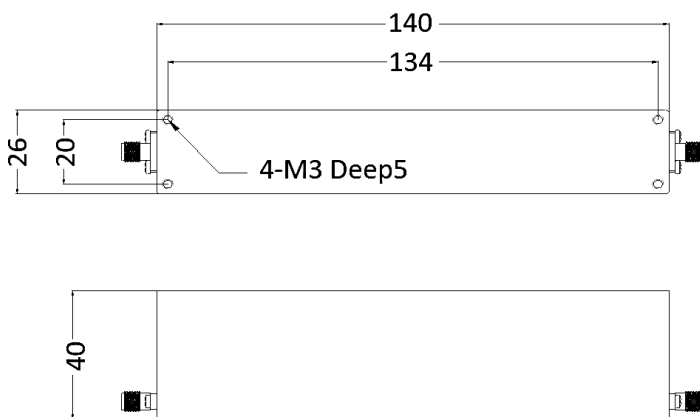
MVE's Notch filter can cut the guard band and preserve the band which you need in the specified frequency range. This type of filter is especially useful since you want to cut the band which is so closed to the in band. The products possess so superior performance with rejection.

SPECIFICATIONS:

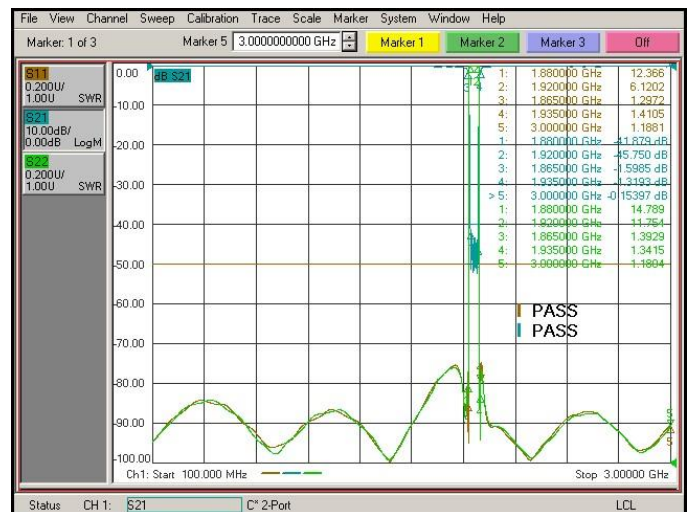
Part Number	MFN-1880.1920.S4
Reject Band	1880MHz~1920MHz
Pass Band	DC~1865MHz; 1935~3000MHz
Insertion Loss	2.0 dB MAX.
Attenuation	40dB MIN.
VSWR	2.0:1 MAX.
Average Power	10 W
Connector Type	SMA Female
Size	140mm x 40mm x 26mm

Tolerance: X= ±0.5

Outline Drawing (Unit: mm)



Typical Test Result



NOTES:

1. ALL SPECIFICATIONS ARE SUBJECT TO CHANGE WITHOUT NOTICE AT ANY TIME
2. CUSTOMER OUTLINE DRAWING FOR REFERENCE ONLY

