

LOW PASS FILTER

MFL-1710.2690.S1

1710-2690MHz (PASSBAND)

3300MHz-5380MHz (STOPBAND)



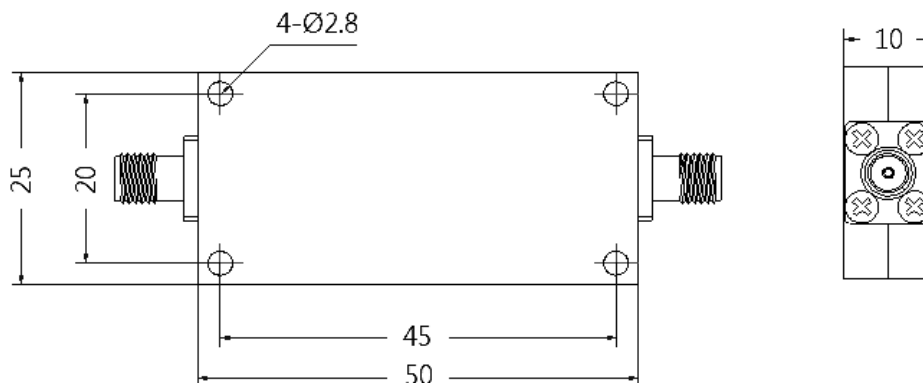
MVE's low-pass filter can cut the guard band and preserve the band which you need in the lower frequency. This type of filter is especially useful since the random errors involved in the raw position data obtained through reconstruction are characterized by relatively high frequency contents.

SPECIFICATIONS

Part Number	MFL-1710.2690.S1
Pass Band	1710-2690MHz
Insertion Loss	≤1.0dB
VSWR	≤1.4:1
Rejection	≥70dB @ 3300-5380MHz
Operational Temperature	-55~+65°C
Impedance	50 Ohms
Average Power	30W
Connector Type	SMA Female
Size	50 x 25 x 10 mm

Tolerance: ±0.5mm

Outline Drawing (Unit: mm)



NOTES

1. ALL SPECIFICATIONS ARE SUBJECT TO CHANGE WITHOUT NOTICE AT ANY TIME
2. CUSTOMER OUTLINE DRAWING FOR REFERENCE ONLY



Typical Test Result

