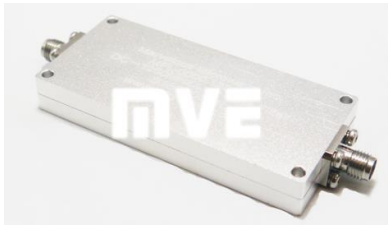


LOW PASS FILTER

MFL-0000.1250.S1

DC-1250MHz (PASSBANDS)

1560MHz-3300MHz (REJECTBANDS)



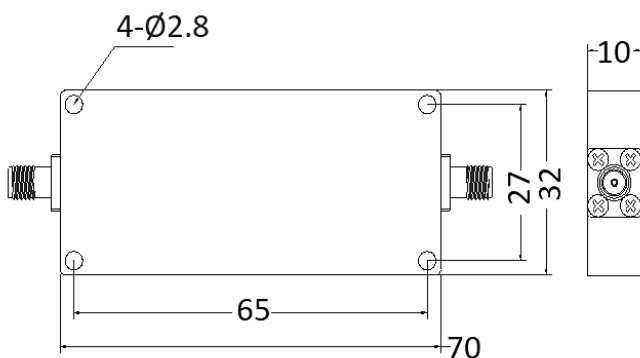
MVE's Low-pass filter can cut the guard band and preserve the band which you need in the lower frequency. This type of filter is especially useful since the random errors involved in the raw position data obtained through reconstruction are characterized by relatively high frequency contents.

SPECIFICATIONS

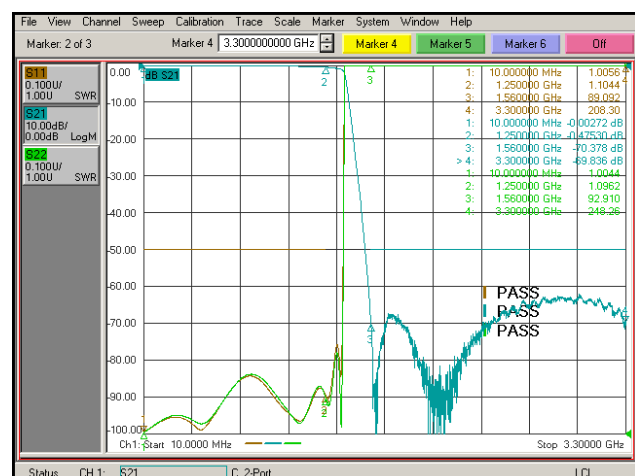
Part Number	MFL-0000.1250.S1
Pass Band	DC-1250MHz
Insertion Loss	1.0dB MAX.
VSWR	1.5:1 MAX.
Reject Band Attenuation	≥50dB @ 1560-3300MHz
Temperature Range	-55 to +85°C
Average Power	≤40W
Impedance	50 Ohm
Connector Type	SMA Female
Size	70mm x 32mm x 10mm
SURFACE FINISH	ALUMINUM, SAND BLASTING

Tolerance: X= ±0.5

Outline Drawing (Unit: mm)



Typical Test Result



NOTES:

1. ALL SPECIFICATIONS ARE SUBJECT TO CHANGE WITHOUT NOTICE AT ANY TIME
2. CUSTOMER OUTLINE DRAWING FOR REFERENCE ONLY

