

LC LOW PASS FILTER

MFL-0000.0030.S1

DC-30MHz (PASSBANDS)

40MHz-75MHz (STOPBANDS)



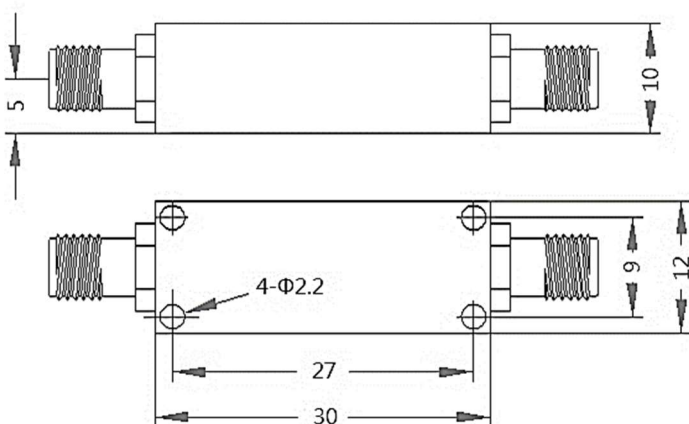
MVE's low-pass filter can cut the guard band and preserve the band which you need in the lower frequency. This type of filter is especially useful since the random errors involved in the raw position data obtained through reconstruction are characterized by relatively high frequency contents.

SPECIFICATIONS

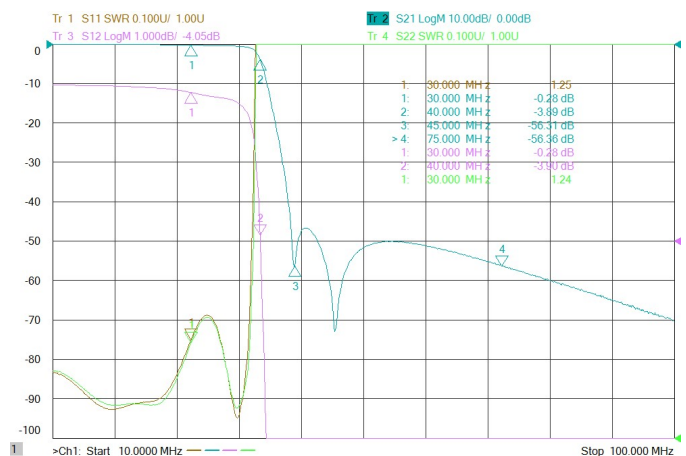
Part Number	MFL-0000.0030.S1
3dB Cut Off	≈40MHz
Pass Band	DC-30MHz
Insertion Loss	≤1.0dB MAX.
VSWR	≤1.5:1 @ DC-30MHz
Stop Band Attenuation	≥3dB @ 40-45MHz ≥45dB @ 45-75MHz
Temperature	-30~+70°C
Average Power	≤0dBm (1mw)
Surface Finish	Nickel Plating
Connector Type	SMA Female

Tolerance:±0.25mm

Outline Drawing (Unit: mm)



Typical Test Result



NOTES

1. ALL SPECIFICATIONS ARE SUBJECT TO CHANGE WITHOUT NOTICE AT ANY TIME
2. CUSTOMER OUTLINE DRAWING FOR REFERENCE ONLY

