

HIGH PASS FILTER

MFH-3000.12750.S2 3000-12750MHz (BAND PASS)



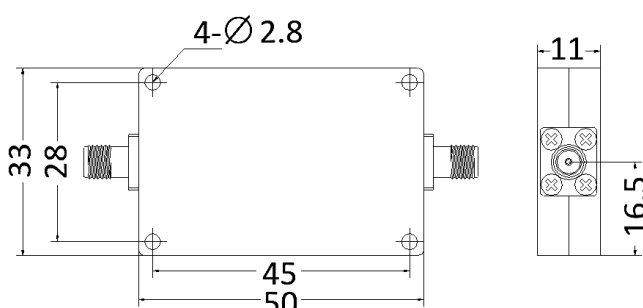
MVE's High-pass filter can cut the guard band and preserve the band which you need in the higher frequency. This type of filter is especially useful since the random errors involved in the raw position data obtained through reconstruction are characterized by relatively low frequency contents.

SPECIFICATIONS

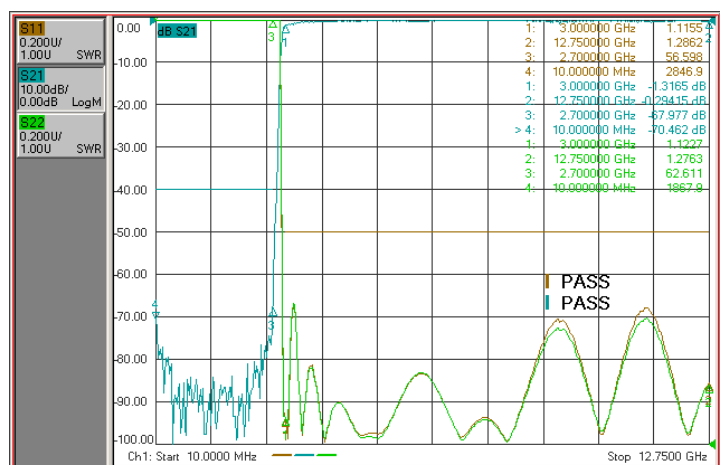
Part Number	MFH-3000.12750.S2
Band Pass	3000-12750MHz
Insertion Loss	≤1.5dB
Rejection	40dB@DC-2700MHz
VSWR	≤2.0:1
Temperature	-30°C ~ +70°C
Impedance	50ohm
Average Power	≤30W
Connector Type	SMA Female
Size	50mm x 33mm x 11mm

Tolerance: ±0.5mm

Outline Drawing (Unit: mm)



Typical Test Result



NOTES:

1. ALL SPECIFICATIONS ARE SUBJECT TO CHANGE WITHOUT NOTICE AT ANY TIME
2. CUSTOMER OUTLINE DRAWING FOR REFERENCE ONLY

