

HIGH PASS FILTER

MFH-2500.18000.S1 2500-18000MHz (BAND PASS)



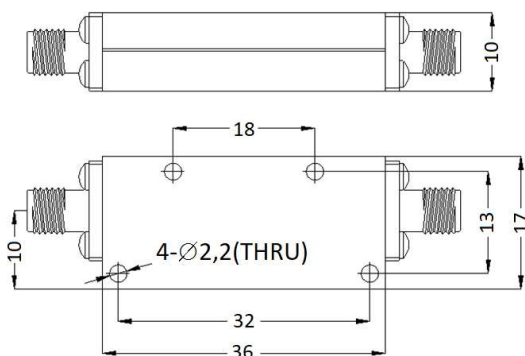
MVE's High-pass filter can cut the guard band and preserve the band which you need in the higher frequency. This type of filter is especially useful since the random errors involved in the raw position data obtained through reconstruction are characterized by relatively low frequency contents.

SPECIFICATIONS:

Part Number	MFH-2500.18000.S1
Band Pass	2500-18000MHz
Rejection	40dB@DC-2000MHz
Insertion Loss	1.5dB MAX.
VSWR	1.6:1 MAX.
Ripple and Flatness	≤0.5dB @3000-18000MHz ≤1.5dB @2500-3000MHz
Power Handling	≤15W
Operating Temperature	-40 to +80°C
Storage Temperature	-65 to +125°C
Connector Type	SMA Female
Size	36mm x 17mm x 10mm

Tolerance: X= ±0.5

Outline Drawing (Unit: mm)



NOTES

1. ALL SPECIFICATIONS ARE SUBJECT TO CHANGE WITHOUT NOTICE AT ANY TIME
2. CUSTOMER OUTLINE DRAWING FOR REFERENCE ONLY

Typical Test Result

