

HIGH PASS FILTER

MFH-0030.1000.S1
30-1000MHz (BAND PASS)



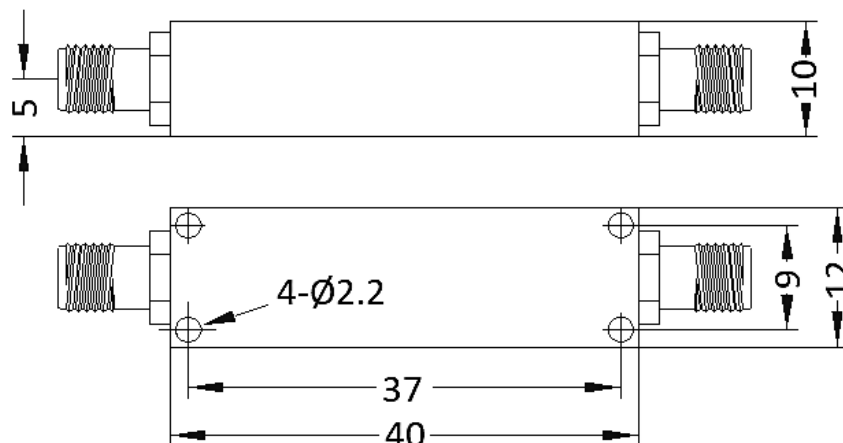
MVE's High-pass filter can cut the guard band and preserve the band which you need in the higher frequency. This type of filter is especially useful since the random errors involved in the raw position data obtained through reconstruction are characterized by relatively low frequency contents.

SPECIFICATIONS:

Part Number	MFH-0030.1000.S1
Band Pass	30-1000MHz
Insertion Loss	≤1.2dB
Rejection	≥50dB@DC-25MHz
VSWR	≤1.5
Temperature	-55°C ~ +85°C
Impedance	50ohm
Average Power	1W
Connector Type	SMA Female
Size	40 x 12 x 10 mm

Tolerance: X= ±0.5

Outline Drawing (Unit: mm)



NOTES:

1. ALL SPECIFICATIONS ARE SUBJECT TO CHANGE WITHOUT NOTICE AT ANY TIME
2. CUSTOMER OUTLINE DRAWING FOR REFERENCE ONLY

