

BIAS TEE

0.01GHz-3GHz
Bias Voltage: 12V

Features

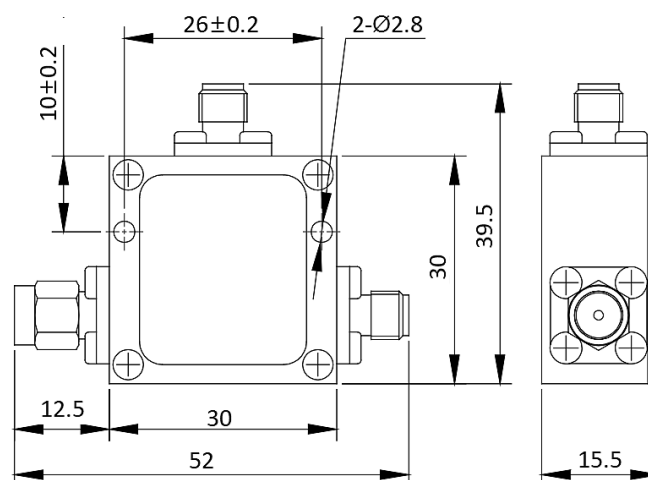
- ✓ Broad bandwidth, Low insertion loss
- ✓ Low VSWR, unconditional stable
- ✓ SMA connector (RF Input/Output)

Specifications

	MBT1013
FREQUENCY RANGE	0.01GHz-3GHz
INSERTION LOSS	1.1 dB MAX.
VSWR	1.25:1 MAX.
BIAS VOLTAGE	12 V
BIAS CURRENT	100mA-1.0A
RF POWER	5W MAX.
RF IN	SMA-Male
RF+DC OUT	SMA Female
DC IN	SMA-Female
TEMPERATURE RANGE	-40°C to + 65°C
MATERIALS	HOUSING: ALUMINUM, ANODIC OXIDATION CONNECTOR: BRASS, GOLD PLATED MALE PIN: BRASS, GOLD PLATED FEMALE PIN: BERYLLIUM COPPER, GOLD PLATED

Tolerance:±5%

Outline Drawing (Unit: mm)



NOTES:
1. ALL SPECIFICATIONS ARE SUBJECT TO CHANGE WITHOUT NOTICE AT ANY TIME
2. CUSTOMER OUTLINE DRAWING FOR REFERENCE ONLY