

ELECTRICAL DATA

FREQUENCY: DC-12GHz

IMPEDANCE: 50Ω

VSWR: 1.60:1@DC-12GHz

INSULATION RESISTANCE: 1000Mega-ohms

DIELECTRIC WITHSTANDING: 250Vrms

CENTER CONTACT RESISTANCE: 8.0 Mini-Ohms

OUTER CONTACT RESISTANCE: 6.0 Mini-Ohms

MECHANICAL DATA

COUPLING METHOD: SMPM—SNAP-ON

Mini FAKRA—SLIDE-IN

TEMPERATURE RANGE: -55~165°C

DURABILITY (MATING/UNMATING):

SMPM- 500 CYCLES

Mini FAKRA-5K CYCLES

CONTINUOUS CURRENT: 1.0amp

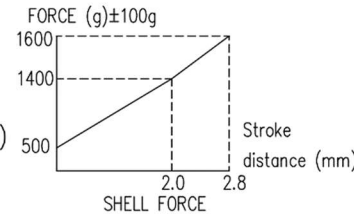
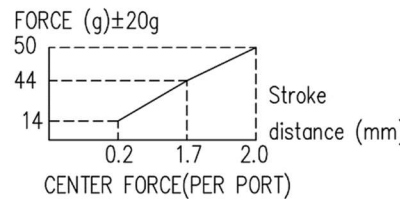
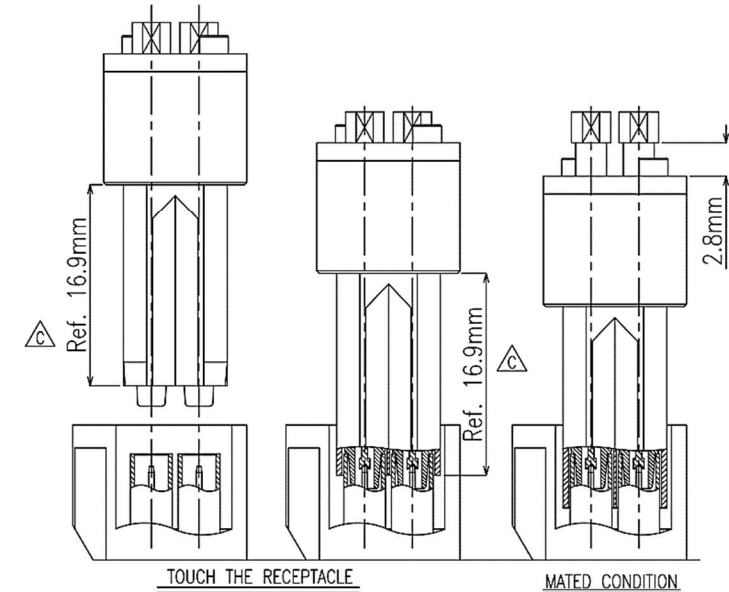
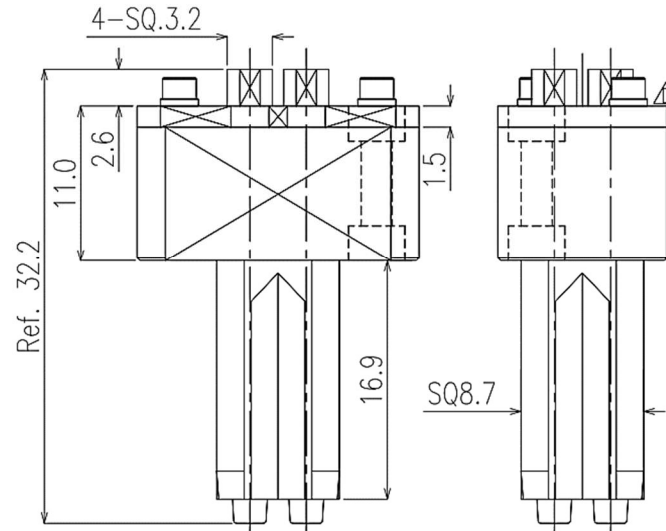
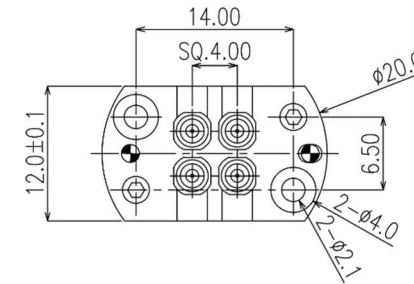
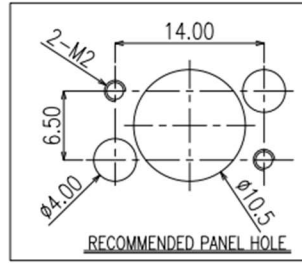
MAXIMUM TRAVEL: 2.8mm

APPLICATION

Fully mating with Mini FAKRA Male

(ROSENBERGER HFM, AMPHENOL TYPE-A)

ROHS COMPLIANCE



DESCRIPTION	MATERIALS	ROHS COMPLIANCE	UNIT: mm
BODY/SCREW/WASHER	BRASS,STEEL/NICKEL,GOLD PLATED	TOLERANCE: X=±0.38 X.X=±0.25 X.XX=±0.15	
CONTACT PIN	BRASS/BE-CU,GOLD PLATED	TITLE	
INSULATOR	TEFLON	Quad Mini Fakra(2x2) Jack Floating/2	
SPRING	SUS304/SWPB	Test Probe, DC-12GHz	

NOTES

1. ALL SPECIFICATIONS ARE SUBJECT TO CHANGE WITHOUT NOTICE AT ANY TIME
2. CUSTOMER OUTLINE DRAWING FOR REFERENCE ONLY

MVE Microwave 芝程科技有限公司

www.micro-mve.com

DC-67GHz RF& Microwave Components

PART NO.	MAP-M401	REV	4.1
SIZE: A	SHEET: 1/1	SCALE:	