

# HORN ANTENNA

**MANT-8000.18000.H1**

## Features

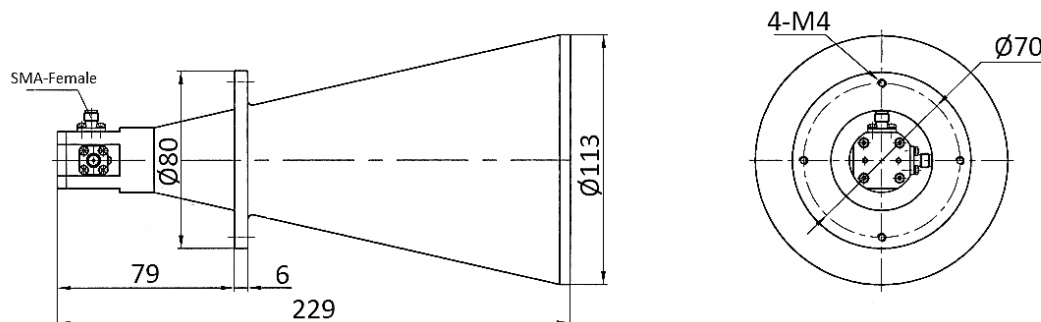
- ✓ Broad Band Frequency Coverage From 8GHz-18GHz
- ✓ High Performance
- ✓ Low VSWR

## Specifications:

<b>PART NUMBER</b>	<b>MANT-8000.18000.H1</b>
<b>DESCRIPTION</b>	Horn Antenna 8000~18000MHz, SMA Female (Dual-Linear Polarization )
<b>ELECTRICAL</b>	<b>MATERIALS</b>
FREQUENCY :8000~18000MHz VSWR: 2.5:1 MAX. GAIN: 15dB MIN. AXIAL RATIO: 3~4dB CROSS POLARIZATION ISOLATION: 10dB MIN. CONNECTOR:SMA-FEMALE	ANTENNA TYPE: DOUBLE-RIDGE MATERIAL: ALUMINUM

Tolerance: X= ±0.5

## Outline Drawing (Unit: mm)



### NOTES:

1. ALL SPECIFICATIONS ARE SUBJECT TO CHANGE WITHOUT NOTICE AT ANY TIME
2. CUSTOMER OUTLINE DRAWING FOR REFERENCE ONLY