

Horn Antenna

26.5GHz-40GHz

Features

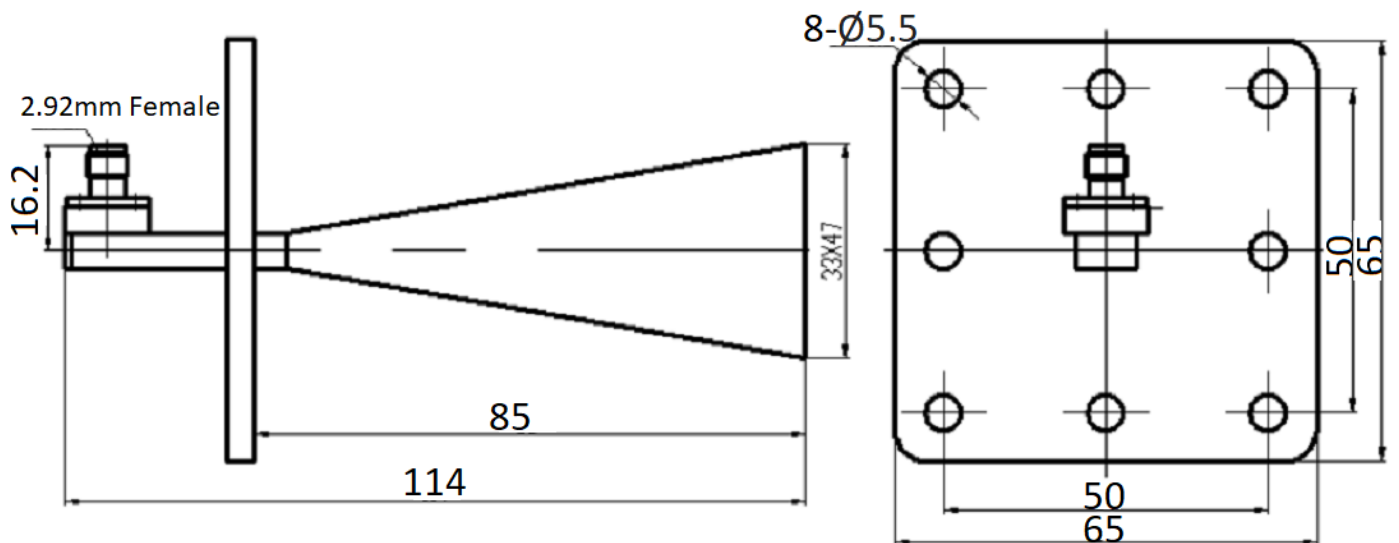
- ✓ Frequency: 26.5-40.0GHz
- ✓ High Performance
- ✓ 2.92 mm Interface

Specifications

PART NUMBER	MANT-26500.40000.H2
DESCRIPTION	Horn Antenna 26500-40000MHz, K2.92 Female, Single Linear Polarization
ELECTRICAL	MATERIALS
FREQUENCY :26.5GHz-40GHz VSWR: 1.50:1 MAX GAIN (Min): 20 dB POLARIZATION: SINGLE LINEAR POLARIZATION CONNECTOR: 2.92-FEMALE 3dB BEAMWIDTH (TYP): 15°	MATERIAL: COPPER INSIDE FINISH: SILVER PLATING OUTSIDE FINISH: CORROSION PROTECTED WITH GREY PAINT

Tolerance: ±0.3mm

Outline Drawing (Unit: mm)



NOTES:

1. ALL SPECIFICATIONS ARE SUBJECT TO CHANGE WITHOUT NOTICE AT ANY TIME
2. CUSTOMER OUTLINE DRAWING FOR REFERENCE ONLY