

Horn Antenna

26.5GHz-40GHz

Features

- ✓ Frequency: 26.5-40.0GHz
- ✓ High Performance
- ✓ 2.92 mm Interface

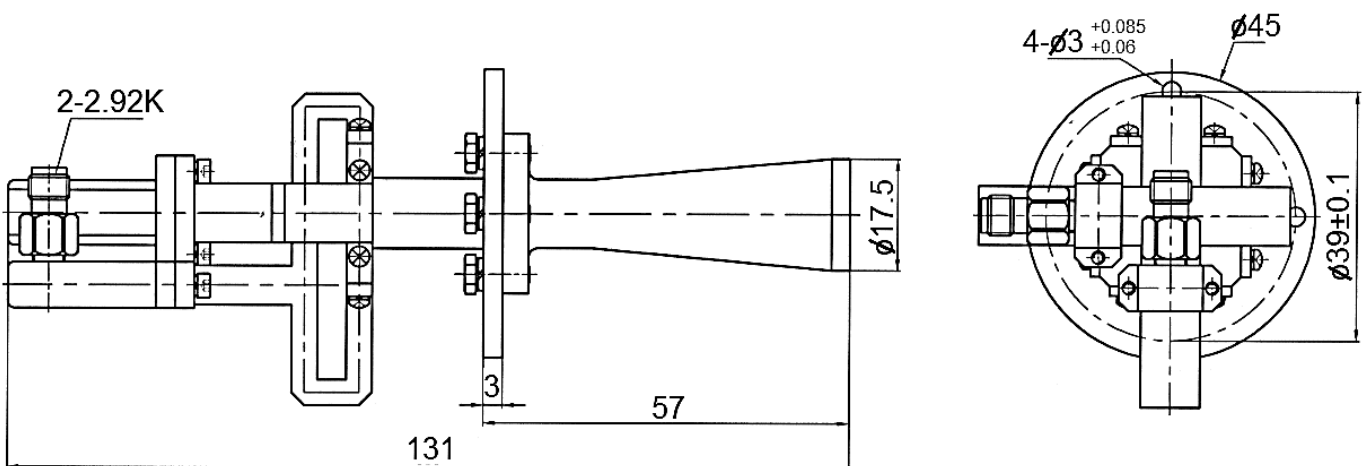


Specifications

PART NUMBER	MANT-26500.40000.H1
DESCRIPTION	Horn Antenna 26500-40000MHz, K2.92 Female
ELECTRICAL	MATERIALS
FREQUENCY :26.5GHz-40GHz VSWR: 1.60:1 MAX GAIN (Min): 10 dB CROSS POLARIZATION ISOLATION: ≥ 20 dB POLARIZATION: DUAL LINEAR POLARIZATION CONNECTOR: K2.92-FEMALE	MATERIAL: COPPER INSIDE FINISH: SILVER PLATING OUTSIDE FINISH: ANTICORROSION GREY PAINT

Tolerance: ± 0.3 mm

Outline Drawing (Unit: mm)



NOTES:

1. ALL SPECIFICATIONS ARE SUBJECT TO CHANGE WITHOUT NOTICE AT ANY TIME
2. CUSTOMER OUTLINE DRAWING FOR REFERENCE ONLY

