

# Horn Antenna

24.0GHz-50.0GHz

## Features

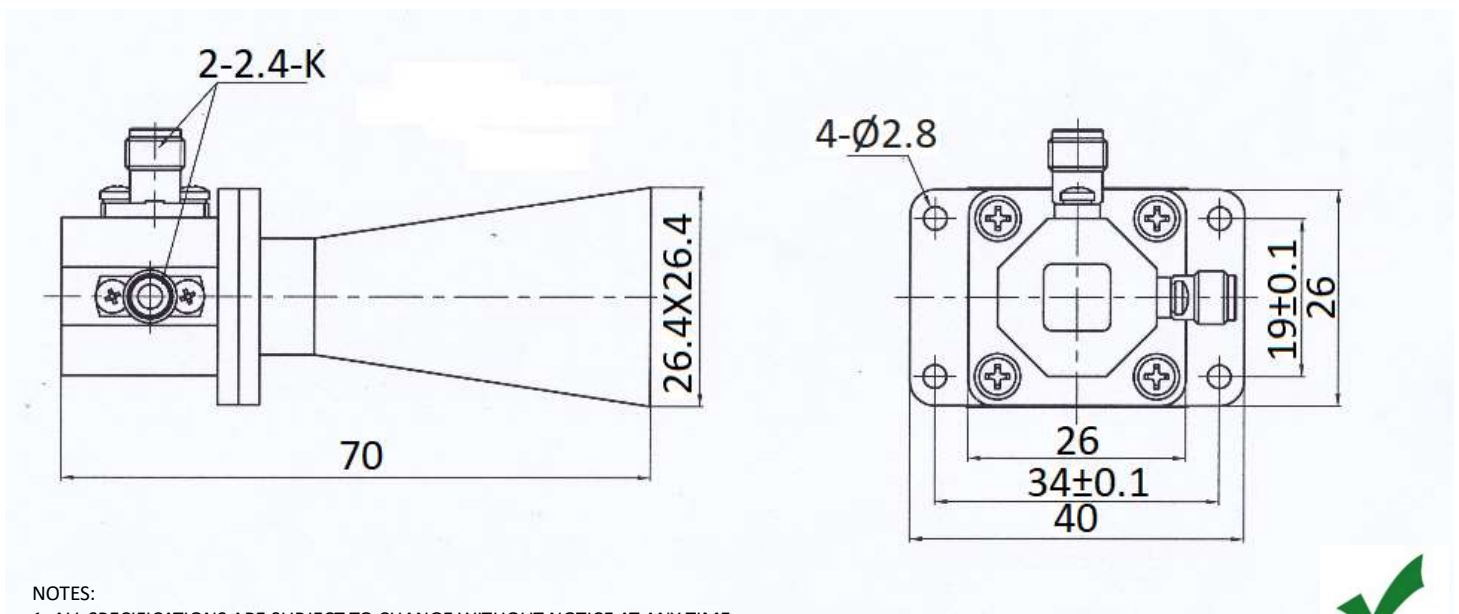
- ✓ Frequency: 24.0-50.0GHz
- ✓ High Performance
- ✓ 2.4 mm Interface

## Specifications

<b>PART NUMBER</b>	MANT-24000.50000.H1
<b>DESCRIPTION</b>	Horn Antenna 24000~50000MHz,2.4mm Female(Dual-Linear Polarization)
<b>ELECTRICAL</b>	<b>MATERIALS</b>
FREQUENCY :25.0GHz-50.0GHz VSWR: 2.00:1 MAX. GAIN (MIN.): 15 dB CROSS POLARIZATION ISOLATION: $\geq 20$ dB POLARIZATION: DUAL LINEAR POLARIZATION CONNECTOR: 2.4mm-FEMALE	MATERIAL: COPPER INSIDE FINISH: SILVER PLATING OUTSIDE FINISH: ANTICORROSION GREY PAINT

Tolerance:±0.3mm

## Outline Drawing (Unit: mm)



NOTES:

1. ALL SPECIFICATIONS ARE SUBJECT TO CHANGE WITHOUT NOTICE AT ANY TIME
2. CUSTOMER OUTLINE DRAWING FOR REFERENCE ONLY

